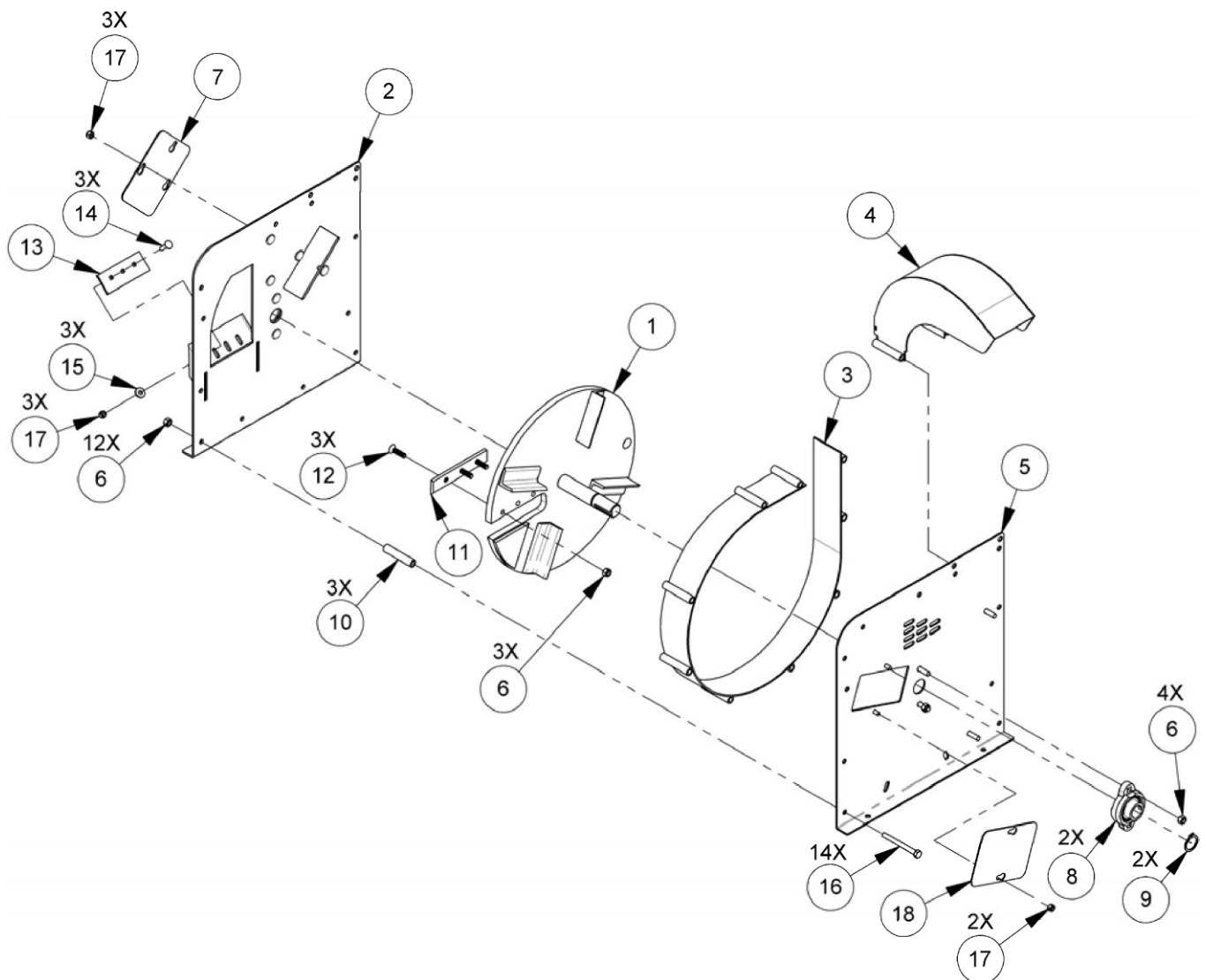


Chapter 7: Parts List and Schematic Diagrams

Parts List and Schematic - Chipper Basic Assembly

Note: Part numbers listed are available through MacKissic, Inc.

<u>Ref#</u>	<u>Part#</u>	<u>Description</u>	<u>Ref#</u>	<u>Part#</u>	<u>Description</u>
1	940-1250	Flywheel, Weldment	10	940-1017-GR	Scroll, Tube
2	950-1102-GR	Plate, Hopper Side, Chipper Housing	11	030-0500	Knife, CPR
3	940-1107-GR	Scroll, Weldment	12	090-0642	Bolt, FHCS, 5/16-18x1 1/4", Alloy
4	950-1113-GR	Chute, Discharge, Low	13	940-1023	Plate, Wear, 10 Ga
5	940-1103-GR	Plate, Discharge Side, Chipper Housing	14	090-0677	Bolt, Carriage, 1/4-20 x 1"
6	090-0460	Nut, Nylon Lock, 5/16-18	15	090-0245	Washer, Flat, 1/4", SAE
7	940-2046-GR	Cover, Access, 3 Hole	16	090-0076	Bolt, HHCS, 5/16-18x3-1/2", Gr5
8	030-0055	Bearing, 2 Bolt, 1 In	17	090-0470	Nut, Nylon Lock, 1/4-20
9	030-0411	Ring, Retaining	18	940-2012-GR	Cover, Access, 2 Hole
			NS	940-1005	Replacement Knife Kit



Parts List and Schematic – Base and Wheels Assembly

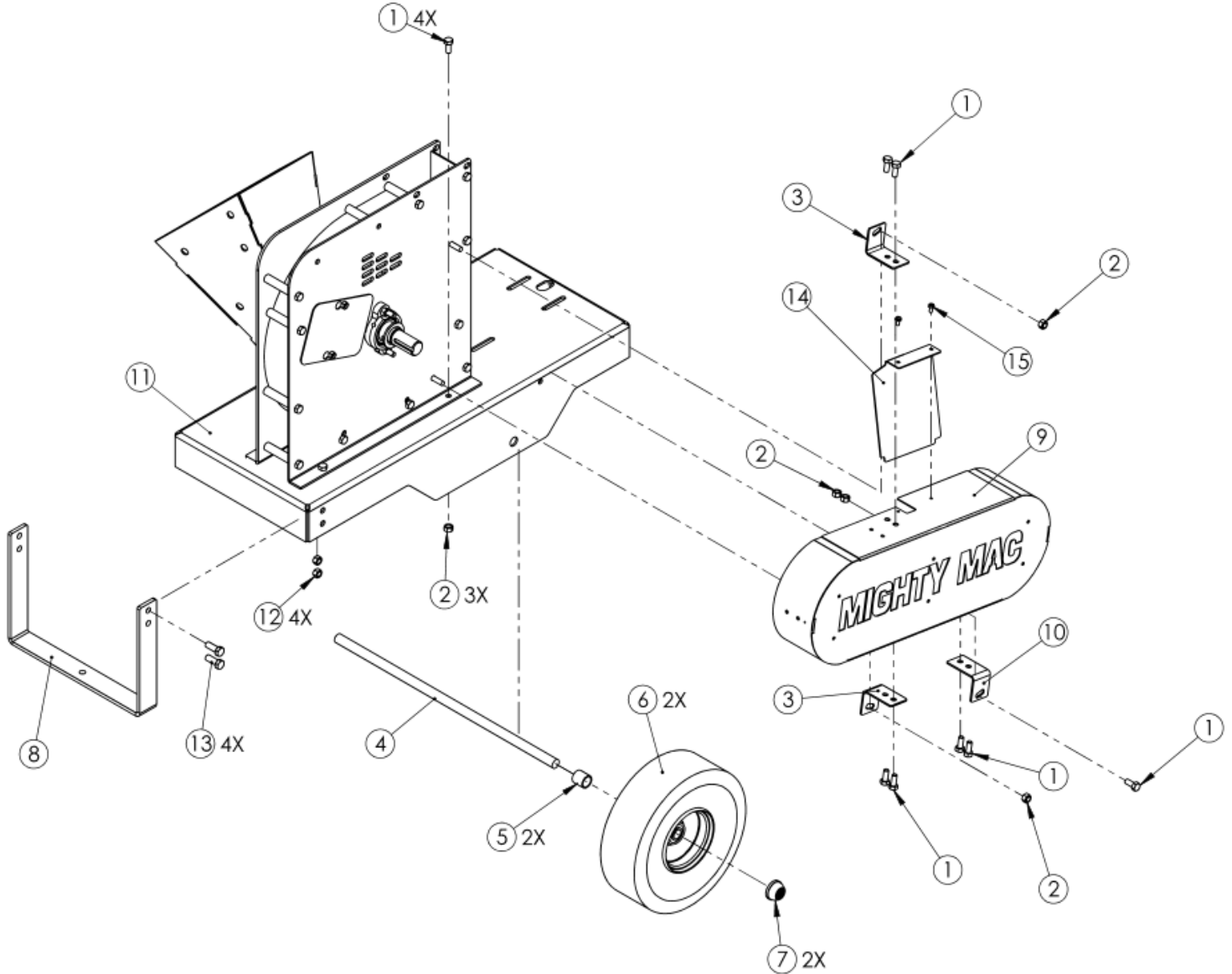
Note: Part numbers listed are available through MacKissic, Inc.

Ref#	Part#	Description
------	-------	-------------

1	090-0066	Bolt, HHCS, 5/16-18 x 3/4"
2	090-0460	Nut, Nylon Lock, 5/16-18
3	940-1019-BL	Bracket, Belt Guard, Int Mnt
4	940-1032-BL	Axle
5	940-1089-BL	Spacer, Wheel
6	030-0641	Tire/Wheel, CPR, 4.10/3.50-4
7	090-0457	Push Cap, w/Spring Washer
8	940-1013-BL	Stand, Front

Ref#	Part#	Description
------	-------	-------------

9	950-1095	Guard, Belt, Asm
10	940-1020-BL	Bracket, Belt Guard, Ext Mnt
11	950-1106-BL	Frame
12	090-0461	Nut, Nylon Lock, 3/8-16
13	090-0110	Bolt, HHCS, 3/8-16 x 1", Gr5
14	940-1096-BL	Guard, Belt, Inner
15	090-0162	Screw, Self Tapping, 10-32 X 3/8"

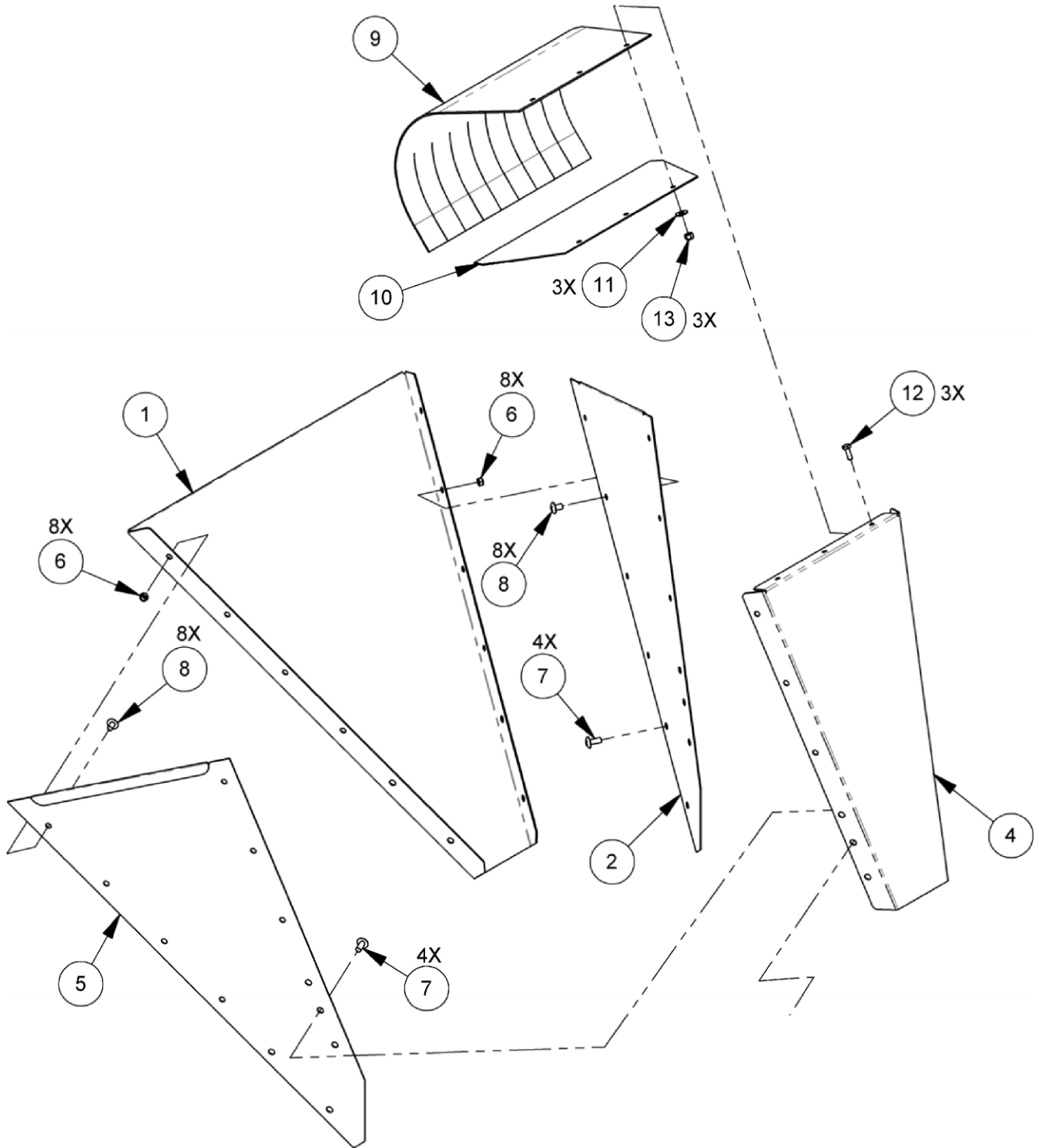


Parts List – Hopper Assembly

Note: Part numbers listed are available through MacKissic, Inc.

<u>Ref#</u>	<u>Part#</u>	<u>Description</u>	<u>Ref#</u>	<u>Part#</u>	<u>Description</u>
1	940-1081-GR	Chute, Hopper, Bottom	8	090-0731	Bolt, Philips Head, 5/16-18 x 1/2", Gr 5
2	940-1082L-GR	Chute, Hopper, Left	9	940-1084	Shield, Blow Back
4	940-1080-GR	Chute, Hopper, Top	10	940-0540	Support, Blow Back
5	940-1082R-GR	Chute, Hopper, Right	11	090-0232	Washer, Flat, 1/4-20
6	090-0639	Nut Nylon Lock 5/16-18 LP	12	090-0012	Bolt, HHCS, 1/4-20 x 3/4", Gr 5
7	090-0748	Bolt, Philips Head, 5/16-18 x 3/4", Gr 5	13	090-0470	Nut, Nylon Lock, 1/4-20

Schematic – Hopper Assembly



Parts List – Drive Assembly

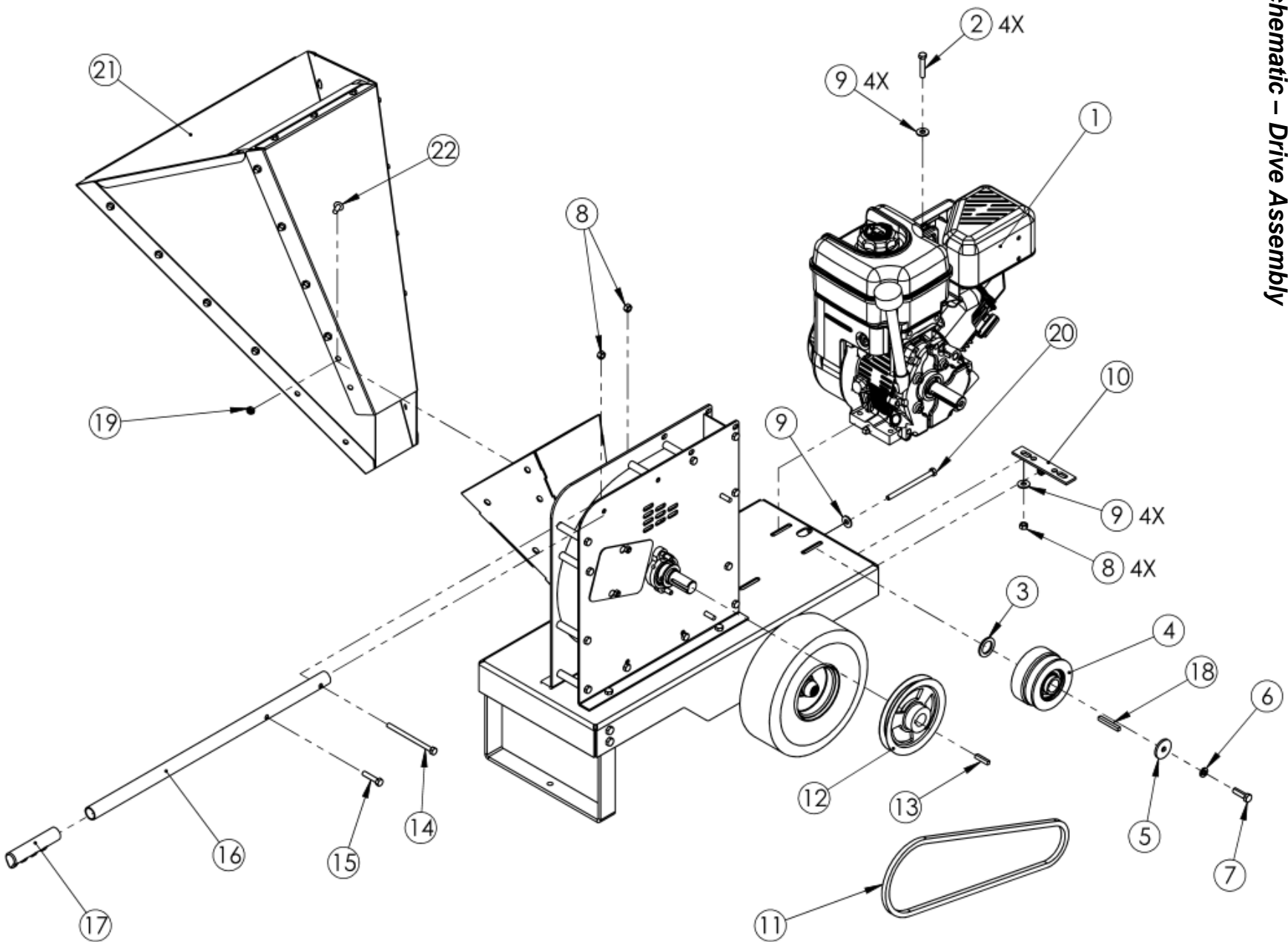
Note: Part numbers listed are available through MacKissic, Inc.

Ref# Part# Description

Ref# Part# Description

1	030-0651	Engine, Briggs and Stratton, 1100 Series	11	030-0615	Belt, V, 5L X 44.00
2	090-0091	Bolt, HHCS, 5/16-18 x 1 3/4", Gr 5	12	030-0608	Pulley, 5L, 1.00 bore x 6.00 OD
3	090-0024-4	Shim	13	080-0081	Key, Shaft, 1/4" SQ x 1-1/4"
4	030-0610	Clutch	14	090-0702	Bolt, 5/16-18 x 4-1/2", Gr5
5	704-0106	Washer, 1.5 OD .390 ID .156 Thick	15	090-0090	Bolt, HHCS, 5/16-18 x 1-1/2", Gr5
6	090-0228	Washer, Lock, Split, 3/8"	16	940-1009-BL	Handle
7	090-0021	Bolt, HHCS, 3/8-24 x 1 1/4", Gr 8	17	913-0075	Grip, Handle
8	090-0460	Nut, Nylon Lock, 5/16-18	18	703-0424	Key, Shaft, 1/4" sq x 2"
9	090-0233	Washer, Flat, 5/16"	19	090-0639	Nut, Nylon Lock, Thin, 5/16-18
10	900-0360	Tensioner, Belt	20	090-0448	Bolt, HHTB, 5/16-18 x 3-1/2", Gr 5
			21	950-1206	Hopper Assembly
			22	090-0748	Bolt, Truss Head, 5/16-18 x 3/4"

Schematic – Drive Assembly



Parts List and Schematic – WC375 NH KIT

Note: Part numbers listed are available through MacKissic, Inc.

<u>Ref#</u>	<u>Part#</u>	<u>Description</u>	<u>Ref#</u>	<u>Part#</u>	<u>Description</u>
1	913-0008-BL	Hitch Plate, Bent	7	940-0461	Locknut, Nylon Insert, 3/8-16, P
2	090-0088	Bolt, 5/16-18 X 1" HHCS GR 5 PLTD	8	940-1116-BL	Tow Tongue Weldment, Non-Highway
3	090-0460	Locknut, Nylon Insert, 5/16-18, P	9	090-0749	Ring Pin, 3/8" X 2 3/4", ZP
4	940-1034R-BL	Hitch Arm, Small, Right Hand	10	706-0924	Hair Spring Cotter, 1/8", PLTD
5	940-1034L-BL	Hitch Arm, Small, Left Hand	<u>Not Shown</u>		
6	090-0116	Bolt, HHCS, 3/8-16 X 3", GR 5, PLTD	930-0008		Decal, Danger, 10mph Tow

