

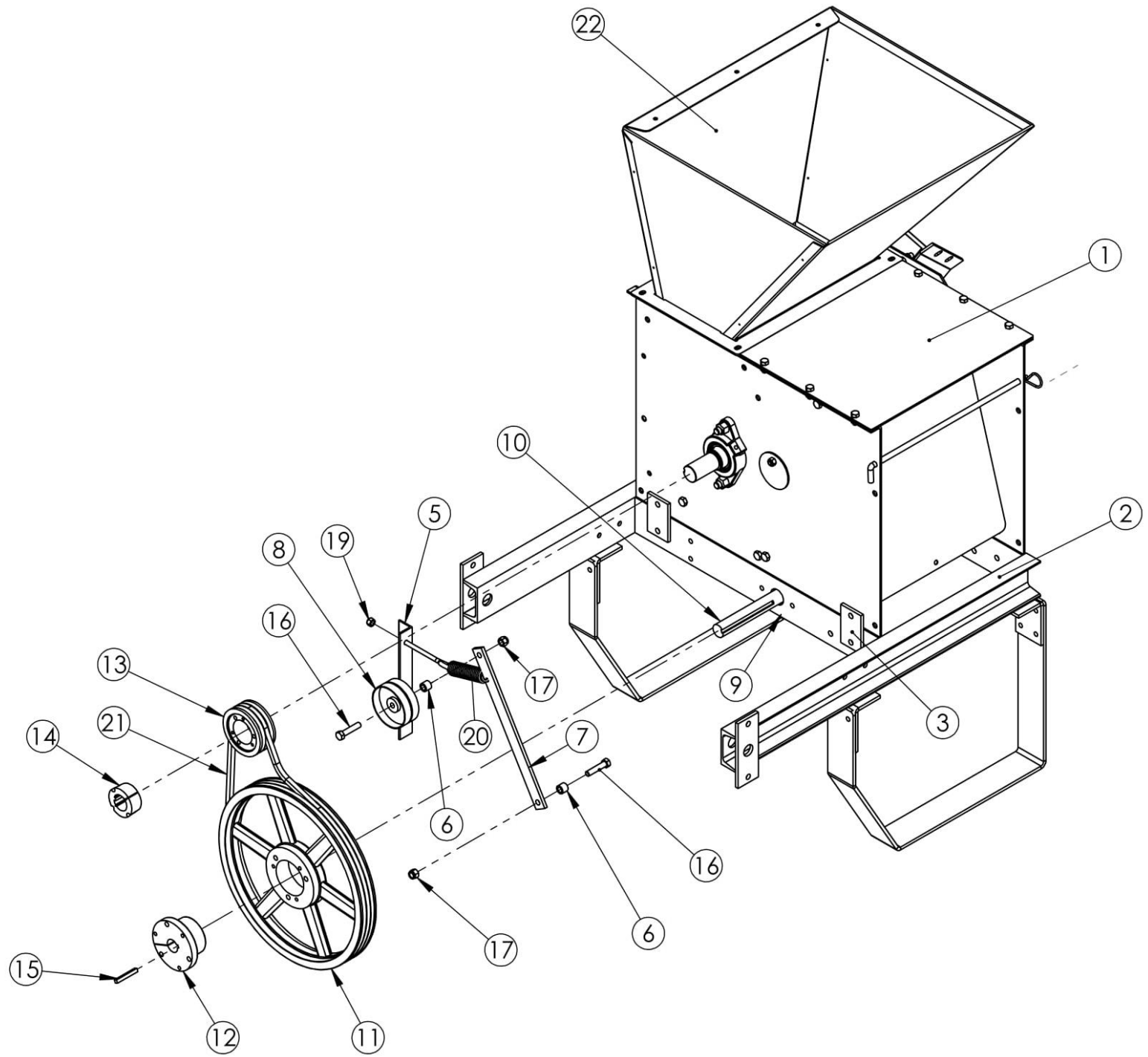
SECTION VI - PARTS

PARTS LIST

ITEM #	PART #	DESCRIPTION	QTY
1	911-0400	185 BASIC UNIT	1
2	911-0293	TPH FRAME WELDMENT	1
3	911-0294	TPH LEG	2
4	911-0295	TPH MOUNT BRACKET	2
5	911-0302	UPPER SUPPORT WELDMENT	1
7	090-0461	3/8-16 Nylock Nut	4
8	090-0460	5/16-18 NYLON INSERT LOCKNUT	20
9	921-0028	SHREDDER HOPPER WELDMENT	1
10	090-0088	BOLT, HHCS, 5/16-18 X 1	14
11	090-0110	3/8-16 x 1 HHCS	4
12	911-0310	TOP BELT GUARD	1
12	911-0311	FRONT BELT GUARD	1
14	090-0052	1/4-20 X 1/2" HHCS	5
15	090-0470	1/4-20 NYLOCK NUT	8
16	911-0296	CENTER BRACE	1
17	090-0370	1/2-13 X 3" HHCS GR5 PLTD	1
18	090-0050	1/2-13 GRIPCO LOCKNUT	1
19	911-0173	LIFT ARM PIN 11930 CATEGORY 1 A	2
20	090-0066	5/16-18 X 3/4" HHCS	4
21	921-0297	BLOWBACK SUPPORT	1
22	810-0298	BLOWBACK SHIELD	1
23	090-0012	1/4-20 X 3/4 HHCS	3
NS	800-0026	PUSH TYPE TIE BUTTON (BLOWBACK SHIELDS)	3
25	921-0375	CHIPPER HOPPER	1
26	913-0376	Chipper Blowback Shield	1
27	090-0739	10-24 x 3/4 HHMS	3
28	090-0703	10-24 NYLOCK NUT ZP	3

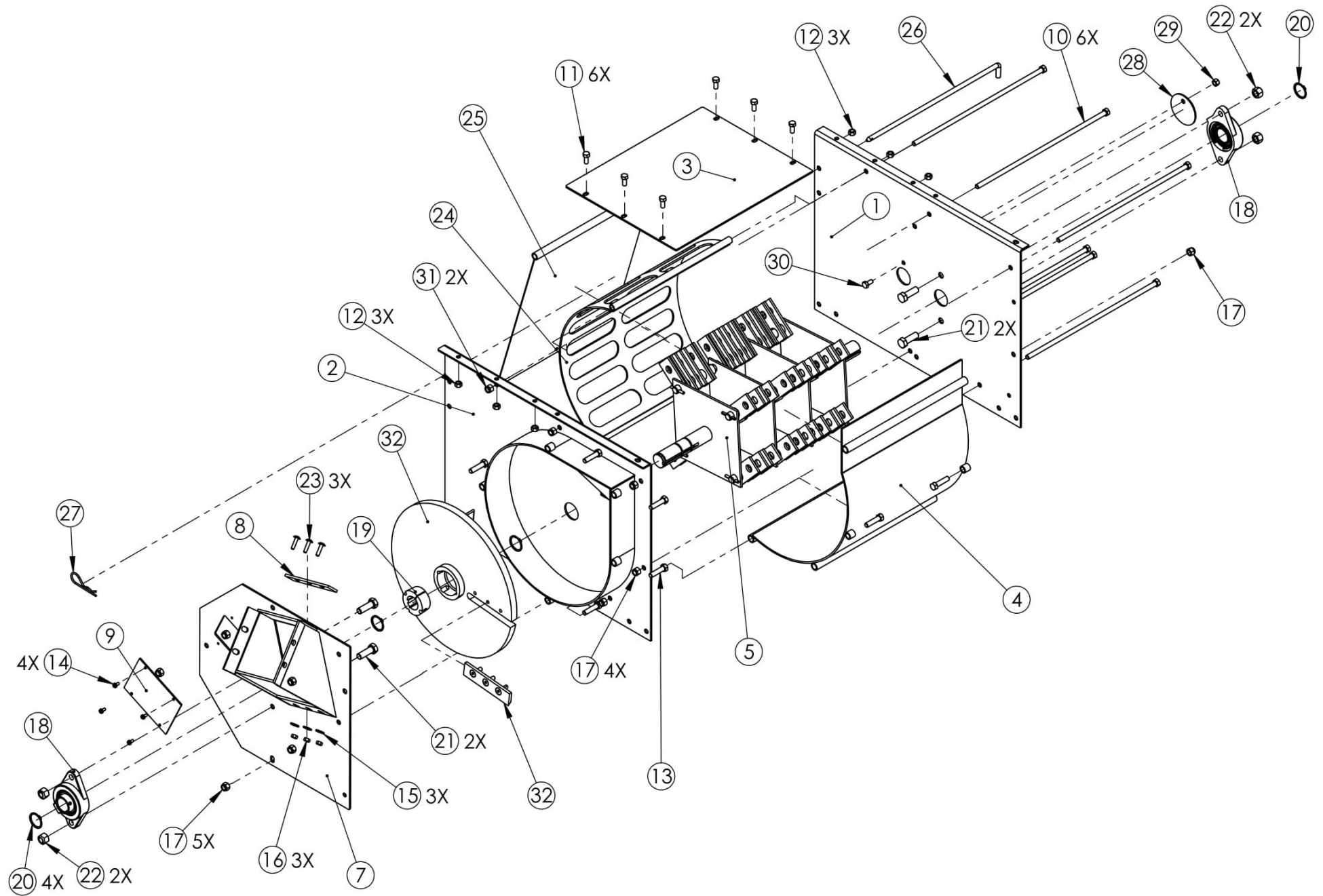
*NS – Not Shown in drawing

SUB ASSEMBLY

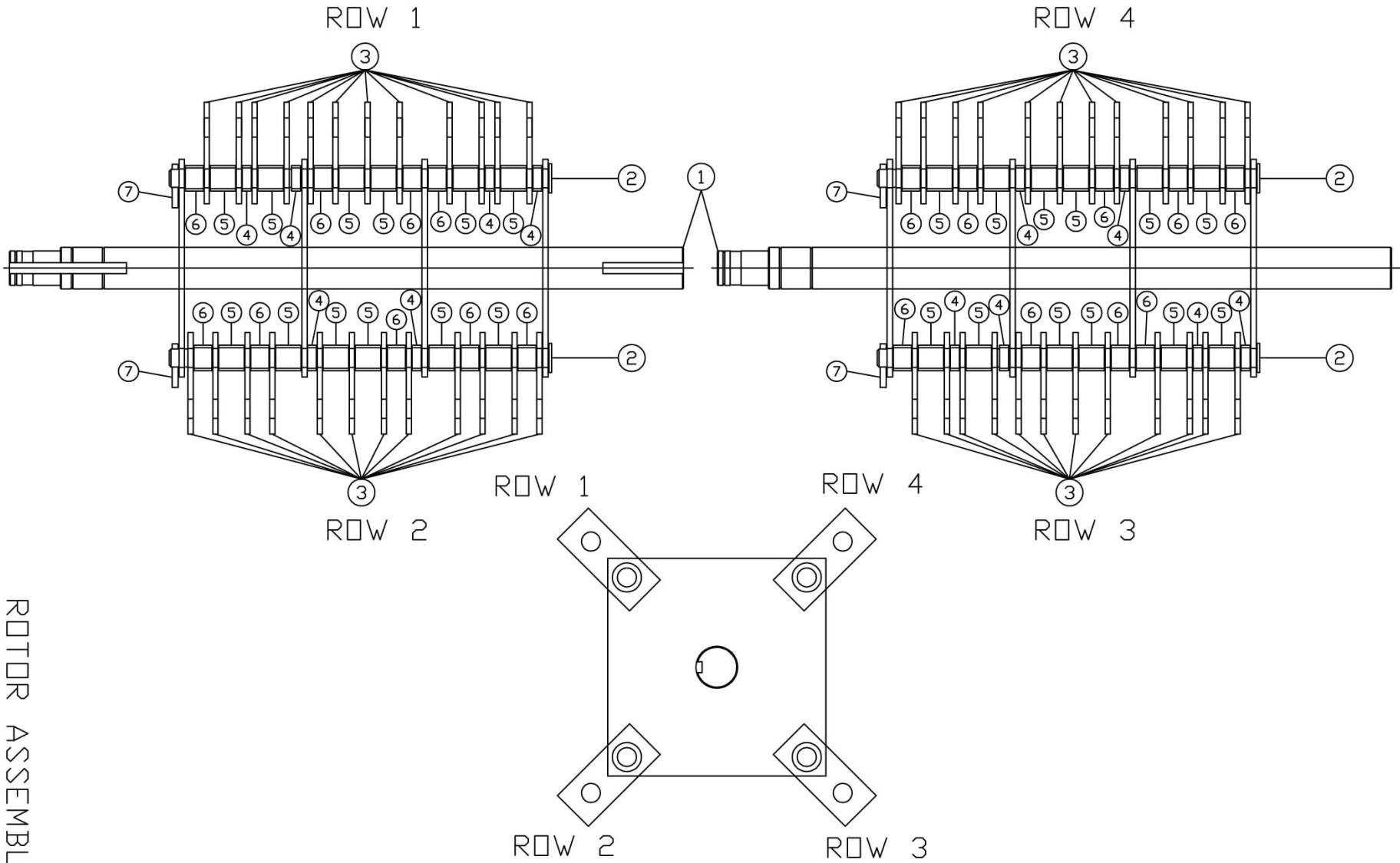


SUB ASSEMBLY PARTS LIST

ITEM #	PART #	DESCRIPTION	QTY
1	911-0400	185 BASIC UNIT	1
2	911-0293	TPH FRAME WELDMENT	1
3	911-0206	MOUNT BAR	4
5	913-0302	SPRING MOUNT BRACKET	1
6	900-0092	IDLER SPACER	2
7	911-0298	IDLER ARM	1
8	909-0016	IDLER SHEAVE	1
9	030-0055	1" BEARING	2
10	911-0297	LOWER SHAFT TPH-183/184/185	1
11	030-0490	3 GROOVE 3V 14" QD SHEAVE	1
12	030-0333	1" SK BUSHING	1
13	030-0567	3.65" DIA 3 GROOVE 3V SHEAVE	1
14	030-0442	1-1/4" TL BUSHING DODGE	1
15	703-0424	.25 X 2 KEY	1
16	090-0113	3/8-16 x 1-3/4" HHCS	2
17	090-0461	3/8-16 Nylock Nut	2
18	090-0268	5/16-18 X 5" EYEBOLT	1
19	090-0460	5/16-18 NYLON INSERT LOCKNUT	1
20	030-0560	4" 44LB SPRING	1
21	030-0181	3VX530 3 GROOVE BELT	1
22	921-0028	SHREDDER HOPPER WELDMENT	1



ROTOR ASSEMBLY



ROTOR ASSEMBLY

911-0400 BASIC MACHINE

ITEM NO.	COMPONENT	DESCRIPTION	QTY
1	911-0316	Drive Side Plate	1
2	911-0317	Chipper Side Plate Weld (Td)	1
3	921-0026	Top Plate	1
4	921-0003	Scroll Weldment	1
5	911-0315	Rotor Weldment	1
6	921-0267	Chipper Disk Balanced	1
7	911-0318	Chipper Chute Side Weldment	1
8	913-0326	Wear Plate	1
9	913-0210	Access Cover	1
10	911-0050	3/8-16 X 15"Lg Hhcs Pltd (Tie	6
11	090-0066	5/16-18 X 3/4 Hhcs Gr 5 Pltd	6
12	090-0048	5/16-18 Gripco Locknut Gr B Pl	6
13	090-0112	3/8-16 X 1 1/2 Hhcs Gr5 Pltd	7
14	090-0162	10-32 X 3/8 Self Tap Type 23	4
15	090-0245	1/4 Sae Flatwasher - Zp	3
16	090-0470	1/4-20 Nylok Locknut Pltd	3
17	090-0049	3/8-16 Gripco Locknut Gr B Plt	10
18	030-0530	1 1/4" Bore 2 Bolt Bearing	2
19	030-0442	1 1/4" TI Bushing Dodge 119223	1
20	030-0449	1.25 In Retaining Ring Shr-125	4
21	090-0141	1/2-13 X 1 1/2 Hhcs Gr 5 Pltd	4
22	090-0050	1/2-13 Gripco Locknut Gr B Plt	4
23	090-0677	1/4-20 X 1 Gr 5 Carriage Bolt	3
24	921-0054	Oblong Hole Screen	1
25	911-0033	Baffle Weldment	1
26	911-0036	Screen & Baffle Rod	1
27	706-0924	1/8" Hair Spring Cotter - Pltd	1
28	900-0040	Cover Plate	1
29	090-0460	5/16-18 Nylon Insert Locknut P	1
30	090-0067	5/16-18 X 5/8 Hhcs Gr 5 Pltd	1
31	090-0461	3/8-16 Nylon Insert Locknut P	3
32	913-0260	Knife Kit	

911-0451 ROTOR ASSEMBLY

ITEM #	PART #	DESCRIPTION	QTY.
1	911-0315	ROTOR WELDMENT	1
2	900-0100-4	HAMMER ROD	4
3	500-0008	HAMMER	48
4	500-0010	SPACER-5/16"	12
5	500-0011	SPACER-7/8"	24
6	500-0012	SPACER-5/8"	18
7	030-0153	13/64" DIA X 1 1/2" LG DRIVE PIN	4