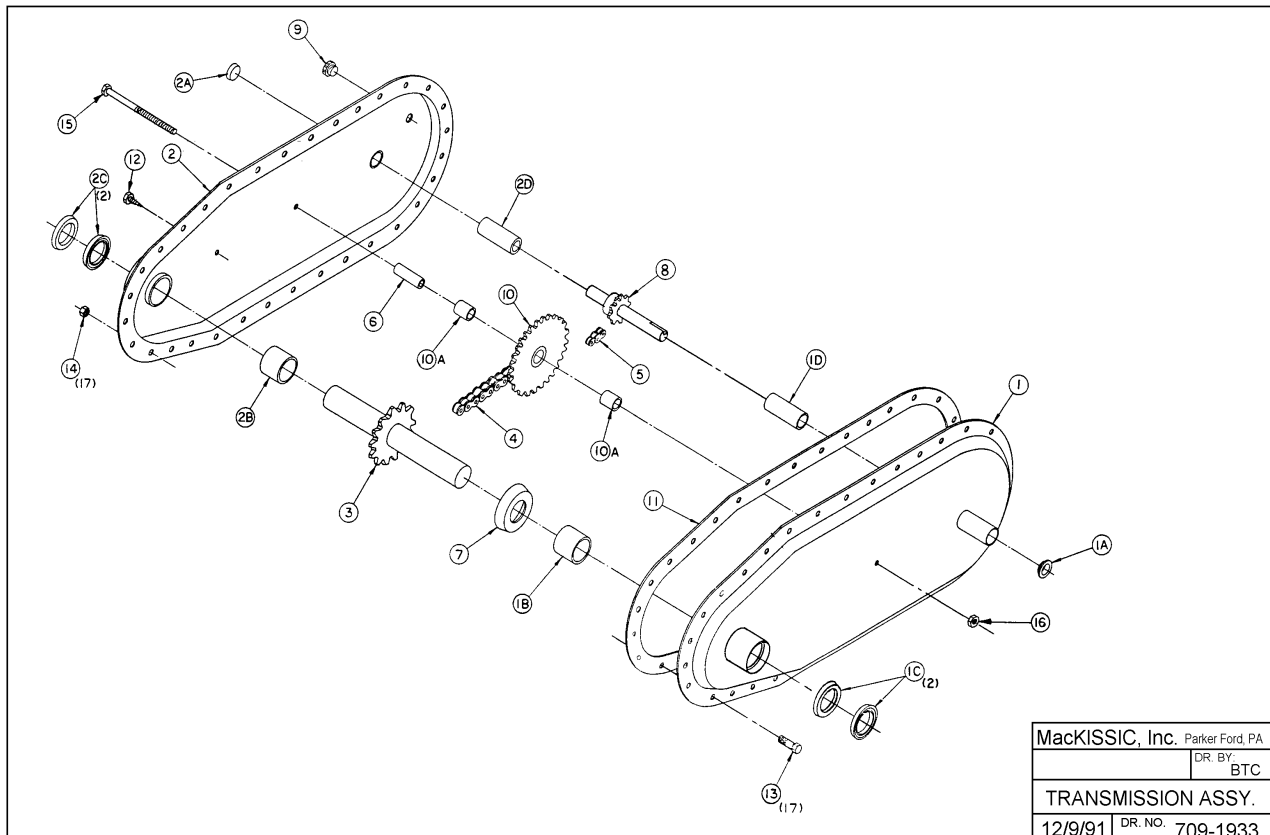
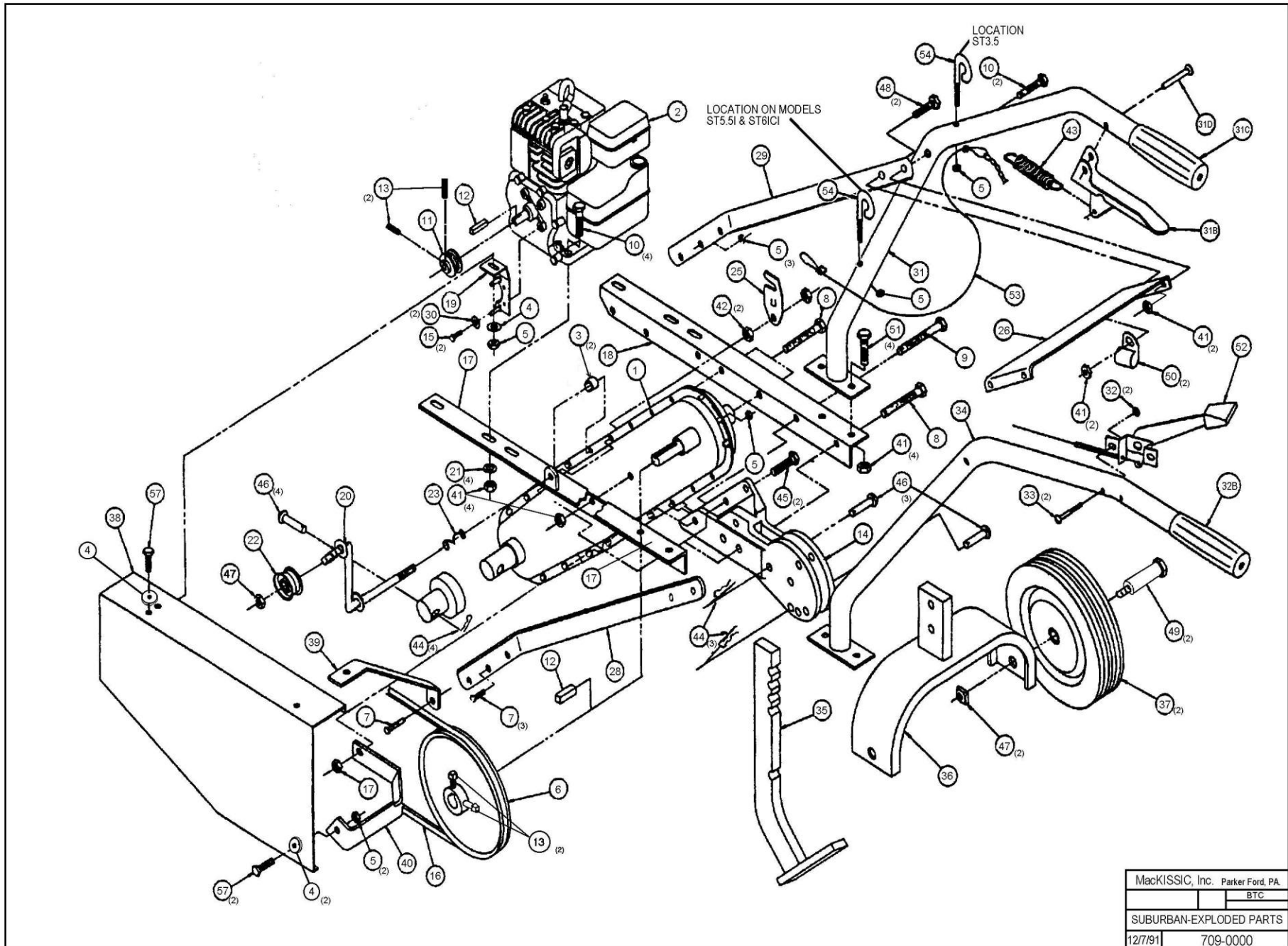


## 709-1933 TRANSMISSION ASSEMBLY

| ITEM NO. | PART NO. | DESCRIPTION                              | QTY. |
|----------|----------|--|------|
| 1        | 709-1934 | L.H. Case Half Assembly (includes 1A-1D) | 1    |
| 1A       | 706-0342 | Drive Shaft Seal                         | 1    |
| 1B       | 706-0343 | Tine Shaft Bearing                       | 1    |
| 1C       | 706-0344 | Oil Seal                                 | 2    |
| 1D       | 706-0345 | Bearing                                  | 1    |
| 2        | 709-1935 | R.H. Case Half Assembly (includes 2A-2D) | 1    |
| 2A       | 020-0014 | Soft Plug                                | 1    |
| 2B       | 706-0343 | Tine Shaft Bearing                       | 1    |
| 2C       | 706-0344 | Oil Seal                                 | 2    |
| 2D       | 706-0345 | Bearing                                  | 1    |
| 3        | 709-0147 | Tine Shaft Weldment                      | 1    |
| 4        | 706-0347 | Roller Chain #50-40 Pitches              | 1    |
| 5        | 706-0348 | Roller Chain #35-50 Pitches              | 1    |
| 6        | 709-0352 | Idler Sprocket Inner Race                | 1    |
| 7        | 709-0651 | Tine Shaft Spacer                        | 1    |
| 8        | 706-2500 | Drive Shaft Assembly                     | 1    |
| 9        | 706-3411 | Caplug                                   | 1    |
| 10       | 709-1615 | Idler Sprocket Assembly (includes 10A)   | 1    |
| 10A      | 030-0093 | Idler Sprocket Bearing                   | 2    |
| 11       | 709-1654 | Transmission Case Gasket                 | 1    |
| 12       | 706-2788 | 1/4 x 3/4" Self Tapping Screw            | 1    |
| 13       | 706-3096 | 1/4-20 x 1/2" HH Whiz Lockscrew          | 17   |
| 14       | 090-0453 | 1/4-20 Whiz Locknut                      | 17   |
| 15       | 090-0419 | 5/16-18 x 2-3/4" HHCS                    | 1    |
| 16       | 090-0460 | 5/16-18 Nylock Locknut                   | 1    |
| --       | 060-0034 | "OO" Grease                              | 1    |



|                                 |                  |
|---------------------------------|------------------|
| MacKISSIC, Inc. Parker Ford, PA |                  |
| DR. BY:                         | BTC              |
| TRANSMISSION ASSY.              |                  |
| 12/9/91                         | DR. NO. 709-1933 |



## SUBURBAN PARTS LIST

| ITEM NO. | PART NO.   | DESCRIPTION                           | QTY. |
|----------|------------|---------------------------------------|------|
| 1        | 709-1933   | Transmission Assembly                 | 1    |
| 2        | 030-0623   | ST750IC - B&S Engine                  | 1    |
| 2        | 706-3404   | ST5.5H - Honda Engine                 | 1    |
| 2        | 030-0658   | ST6.5V - Vanguard Engine              | 1    |
| 3        | 500-0058   | Guide ¾"L                             | 2    |
| 4        | 090-0232   | 1/4" Flat Washer                      | 4    |
| 5        | 090-0470   | 1/4-20 Nylock Locknut                 | 7    |
| 6        | 030-0109   | Pulley - Transmission                 | 1    |
| 7        | 090-0060   | 1/4-20 x 1" HHCS                      | 3    |
| 8        | 090-0419   | 5/16-18 x 2-3/4" HHCS                 | 2    |
| 9        | 090-0093   | 5/16-18 x 3" HHCS                     | 1    |
| 10       | 090-0091   | 5/16-18 x 1-3/4" HHCS                 | 6    |
| 11       | 706-1368   | Pulley - Engine                       | 1    |
| 12       | 100-0018   | 3/16 x 3/16 x 1" Shaft Key            | 1    |
| 13       | 080-0053   | 5/16-18 x 5/16" Set Screw             | 4    |
| 14       | 709-2502   | Hitch-Rear                            | 1    |
| 15       | 090-0408   | 5/16-24 x 3/4" HHCS                   | 2    |
| 16       | 030-0131   | V-Belt                                | 1    |
| 17       | 709-2205   | L.H. Engine Mount Weldment            | 1    |
| 18       | 709-2208   | R.H. Engine Mount                     | 1    |
| 19       | 709-2647   | Belt Release Bracket Weldment         | 1    |
| 20       | 706-3417   | Idler Arm Weldment                    | 1    |
| 21       | 090-0233   | 5/16 Flat Washer                      | 4    |
| 22       | 030-0111   | Idler Pulley                          | 1    |
| 23       | 709-3409   | Idler Arm Compression Spring          | 1    |
| 25       | 706-0137   | Adjustment Link                       | 1    |
| 26       | 706-1826   | Cross Brace                           | 1    |
| 27       | 100-0018   | 3/16 x 3/16 x 1 Key                   | 1    |
| 28       | 709-3136   | Tie Bar L.H.                          | 1    |
| 29       | 709-3137   | Tie Bar R.H.                          | 1    |
| 30       | 090-0394   | 5/16" Split Lock Washer               | 2    |
| 31       | 706-2637   | R. H. Handle Assembly (includes 31C)  | 1    |
| 31B      | 706-3254   | Clutch Control Lever                  | 1    |
| 31C      | 706-0630   | Handle Grip                           | 1    |
| 31D      | 090-0057   | ¼-20 x 1-1/2 HHCS                     | 1    |
| 31D      | 090-0470   | ¼-20 Nylock Locknut                   | 1    |
| 32       | 706-1539   | 10-32 Nut                             | 2    |
| 33       | 090-0400   | 10-32 x 1 1/4 Rd Hd Machine Screw     | 2    |
| 34       | 706-2632   | L.H. Handle Assembly (includes 32B)   | 1    |
| 35       | 706-0895   | Rear Skid Weldment                    | 1    |
| 36       | 706-3419   | Wheel Frame Weldment                  | 1    |
| 37       | 706-3347   | Wheel                                 | 2    |
| 38       | 709-2658   | Belt Cover                            | 1    |
| 39       | 709-2659   | Trans. Case to Belt Cover Bracket     | 1    |
| 40       | 709-3080   | Engine Mount to Belt Cover Bracket    | 1    |
| 41       | 090-0460   | 5/16-18 Nylock Locknut                | 17   |
| 42       | 090-0207   | 3/8-16 Hex Nut                        | 2    |
| 43       | 706-0152   | Clutch Control Spring                 | 1    |
| 44       | 706-0924   | 1/8" Hair Spring Cotter               | 7    |
| 45       | 090-0089   | 5/16-18 x 1-1/4" HHCS                 | 2    |
| 46       | 706-1024   | Clevis Pin                            | 7    |
| 47       | 090-0461   | 3/8 Nut Nylock                        | 2    |
| 48       | 090-0066   | 5/16-18 x 3/4" HHCS                   | 2    |
| 49       | 705-0056-2 | 1/2 Shoulder Bolt                     | 2    |
| 50       | 706-2243   | Cable Guide                           | 2    |
| 51       | 090-0088   | 5/16-18 x 1" HHCS                     | 4    |
| 52       | 030-0662   | Throttle Control                      | 1    |
| 53       | 706-2250   | Clutch Cable Assembly                 | 1    |
| 54       | 090-0467   | Pull Cord Holder                      | 1    |
| 57       | 090-0012   | 1/4-20 x 3/4" HHCS                    | 1    |
| ---      | 707-1338-A | L.H. Inside Slasher Tine - Not Shown  | 3    |
| ---      | 707-1339-A | R.H. Inside Slasher Tine - Not Shown  | 1    |
| ---      | 707-1704-A | L.H. Outside Slasher Tine - Not Shown | 1    |
| ---      | 707-1705-A | R.H. Outside Slasher Tine - ot Shown  | 1    |