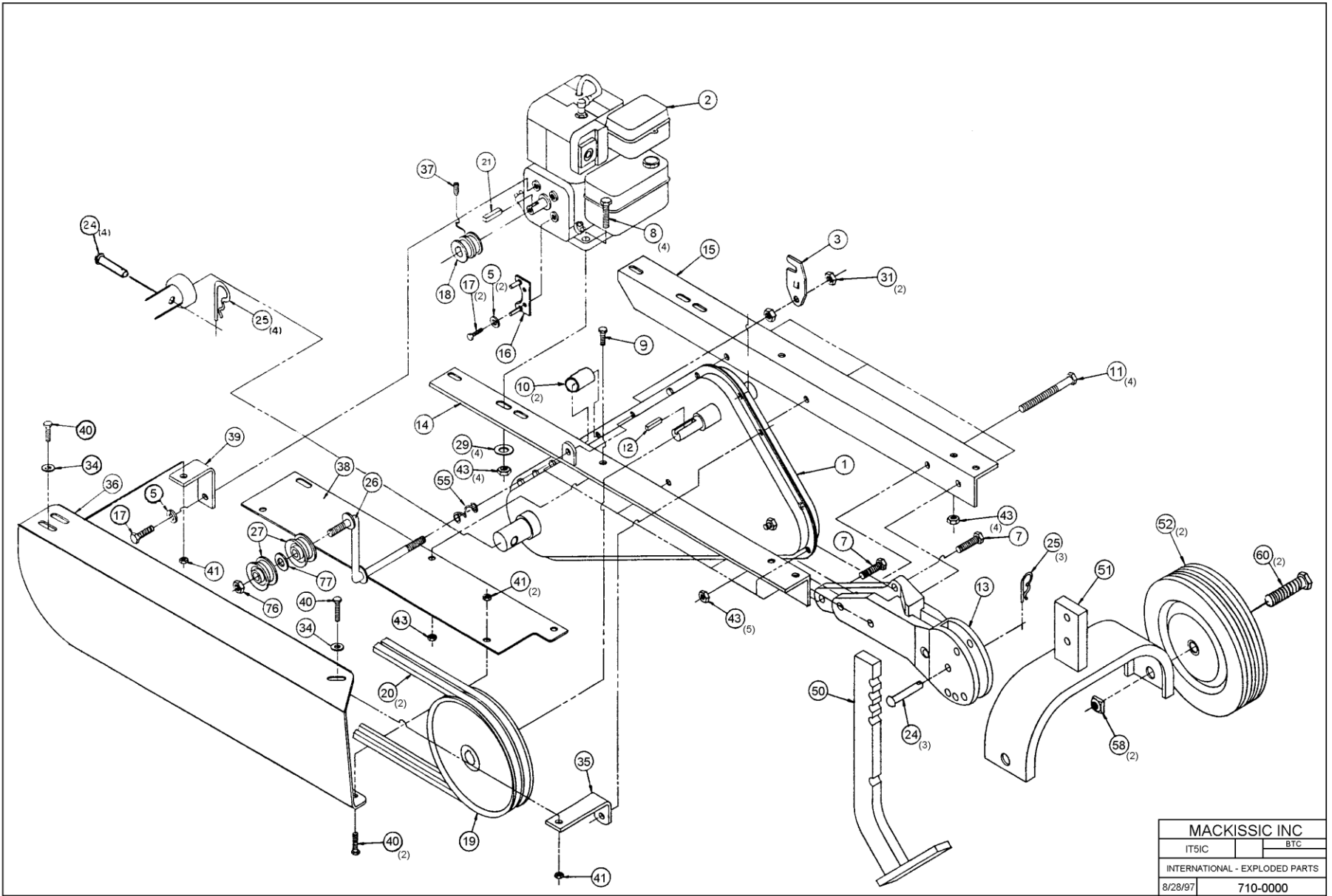


MACKISSIC, INC	
IT51C	DR BY: JTS
TRANSMISSION ASSY	
12-5-92	DR BY: 710-2281

710-2281 TRANSMISSION ASSEMBLY

ITEM NO.	PART NO.	DESCRIPTION	QTY.
1	710-1885	L.H. Case Half Assembly (include 1A to 1D)	1
1A	706-0343	Tine Shaft Bearing	1
1B	706-0344	Oil Seal	2
1C	706-0345	Bearing	1
1D	706-0342	Drive Shaft Seal	1
2	710-1886	R.H. Case Half Assembly (includes items 2A to 2D)	1
2A	020-0014	Soft Plug	1
2B	706-0343	Tine Shaft Bearing	1
2C	706-0344	Oil Seal	2
2D	706-0345	Bearing	1
3	710-1754	Gasket	1
5	706-0347	Roller Chain #50-40 Pitch	1
6	090-0092	5/16-18 x 2-1/2" HHCS, GR5	1
7	090-0460	5/16-18 Nylock Locknut (assembly)	2
-	090-0418	5/16-18 Whiz Locknut (parts transmission)	2
8	706-3411	Caplug	1
9	710-1757	Idler Sprocket Inner Race	2
10	710-1760	Tine Shaft Weldment	1
11	710-1762	Roller Chain #35-44 Pitch	1
12	706-1763	Roller Chain #40-40 Pitch	1
13	709-0651	Tine Shaft Spacer	1
14	710-1903	Upper Idler Sprocket Assembly (includes item 14A)	1
14A	030-0093	Idler Sprocket Bearing	2
15	710-1905	Lower Idler Sprocket Assembly (includes item 15A)	1
15A	030-0093	Idler Sprocket Bearing	2
16	090-0093	5/16-18 x 3" HHCS, GR5	1
19	706-2500	Drive Shaft Assembly	1
20	706-3096	1/4-20 x 1/2" Whiz Lock Screw	15
21	090-0453	1/4-20 Whiz Locknut	15
22	706-2788	1/4" x 3/4" Self Tapping Screw	1
--	710-3404	Spacer	1
--	060-0034	"OO" Grease	1



INTERNATIONAL PARTS LIST

ITEM NO.	PART NO.	DESCRIPTION	QTY.
1	710-2281	Transmission Assembly	1
2	706-3404	IT5.5H Engine	1
2	030-0622	IT950IC Engine	1
2	030-0658	IT6.5V – Vanguard Engine	1
3	706-0137	Adjustment Link	1
5	090-0394	5/16" Split Lock washer	2
7	090-0089	5/16-18 x 1-1/4" HHCS, GR5	2
8	090-0091	5/16/18 x 1-3/4" HHCS, GR5	4
9	090-0088	5/16-18 x 1" HHCS, GR5	1
10	710-1854	Engine mount spacer	2
11	090-0093	5/16-18 x 3" HHCS, GR5	4
12	100-0018	3/16 x 3/16 x 1" Shaft Key	2
13	710-2503	Hitch	1
14	710-2262	L.H. Engine Mount	1
15	710-2265	R.H. Engine Mount	1
16	710-2245	Belt Release Weldment	1
17	090-0408	5/16-24 x 3/4" HHCS, GR5	3
18	710-2350	2" Double "A" Pulley	1
19	710-2351	6" Double "A" Pulley	1
20	608-0020	Belt	2
21	100-0018	3/16 x 3/16 x 1 Key	1
24	706-1024	Clevis Pin	7
25	706-0924	1/8" Hair Spring Cotter	7
26	706-3417	Idler Arm	1
27	030-0111	Idler Pulley	2
29	090-0233	5/16" Flat Washer	4
31	090-0207	3/8-16 Hex Nut	2
34	090-0232	1/4" Flat Washer	2
35	710-2551	Rear Bracket	1
36	710-2553	Belt Cover	1
37	080-0053	5/16-18 x 5/16 Set Screw	2
38	710-2556	Fender Bracket	1
39	710-2557	Front Bracket	1
40	090-0012	1/4-20 x 3/4" HHCS, GR5	4
41	090-0470	1/4-20 Nylock Locknut	4
43	090-0460	5/16-18 Nylock Locknut	15
50	706-0895	Rear Skid Weldment	1
51	706-2480	Rear Wheel Frame	1
52	706-3347	10" Semi-pneumatic	2
55	709-1237	Idler Arm Spring	1
58	090-0461	3/8 Nylock Nut	2
60	705-0056-2	1/2" Hex Head Shoulder Bolt	2
---	707-1338-A	LH. Inside Slasher Tine	1
---	707-0339-A	RH. Inside Slasher Tine	1
---	707-1341-A	LH. Middle Slasher Tine	1
---	707-1340-A	RH. Middle Slasher Tine	1
---	707-1704-A	LH. Outside Slasher Tine	1
---	707-1705-A	RH. Outside Slasher Tine	1
76	090-0461	3/8-16 Nylock Locknut	1
77	090-0234	3/8 Flat Washer	1

PARTS LIST FOR HANDLE ASSEMBLY

ITEM NO.	PART NO.	DESCRIPTION	QTY.
5	090-0470	1/4-20 Nylock Nut	3
10	090-0091	5/16-18 x 1 3/4 HHCS	2
21	090-0233	5/16 Flat Washer	4
26	706-1826	Cross Brace	1
29	710-3406	R.H. Tie Brace	1
30	710-3405	L.H. Tie Brace (Not Shown)	1
31	706-2637	R.H. Handle Assembly (includes item 31C)	1
31B	706-3254	Clutch Control Lever	1
31C	706-0630	Handle Grip	1
31D	090-0057	1/4-20 x 1-1/2 HHCS	1
31D	090-0470	1/4-20 Nylock Locknut	1
32	706-1539	10-32 Kep Nut	2
33	090-0400	10-32 x 1 1/4 RD HD Mach. Screw	2
34	706-2632	L.H. Handle Assembly (includes items 34B)	1
34B	706-0630	Handle Grip	1
41	090-0460	5/16 Nylock Nut	4
43	706-0152	Clutch Spring	1
48	090-0066	5/16-18 x 3/4 HHCS	2
50	706-2243	Cable Guide	2
51	090-0089	5/16-18 x 1-1/4 HHCS	4
52	030-0662	Throttle Control – Robin & Honda units	1
52	710-3408	Throttle Control – Briggs & Stratton units only	1
53	706-2250	Clutch Cable Assembly	1
54	090-0467	Pull Cord Holder	1

