
SECTION VII – PARTS BREAKDOWN

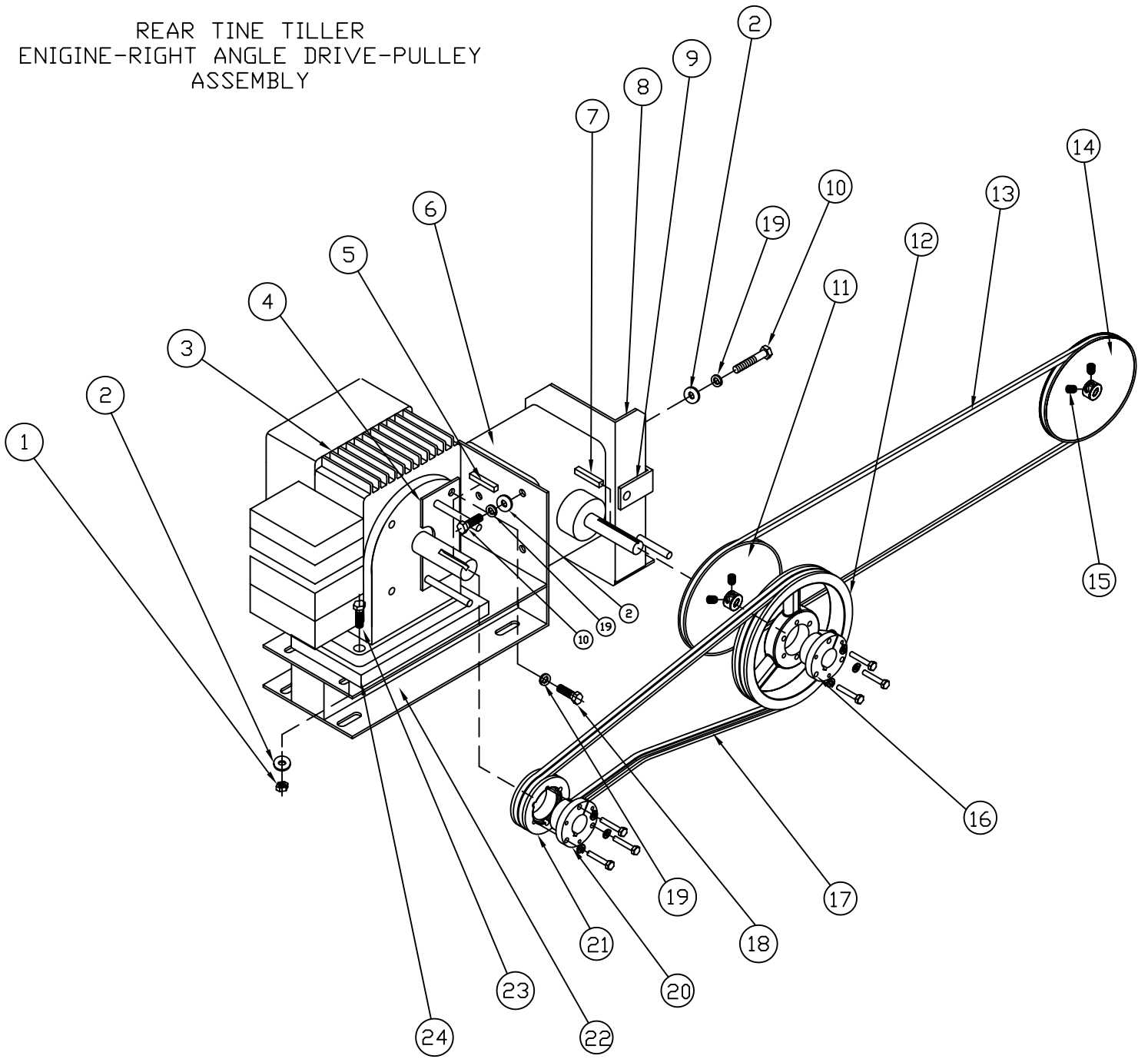
REAR TINE TILLER MAIN ASSEMBLY

ITEM #	PART #	QTY	DESCRIPTION
1	SEE PAGE 25	1	ENGINE-RIGHT ANGLE DRIVE-PULLEY ASSEMBLY
2	SEE PAGE 27	1	FRAME-TRANSMISSION-HOUSING ASSEMBLY
3	SEE PAGE 29	1	TRANSMISSION MOUNT ASSEMBLY
4	SEE PAGE 35	1	AXLE-TIRE ASSEMBLY
5	712-0056	1	BELT GUARD
6	712-0044	1	INNER BELT GUARD
7	SEE PAGE 31	1	TINE SHIELD ASSEMBLY
8	090-0111	4	3/8-16 X 1-1/4" HHCS
9	090-0234	4	3/8 USS FLATWASHER
10	090-0461	4	3/8-16 NYLOCK NUT
11	090-0066	5	5/16-18 X 3/4" HHCS
12	090-0233	5	5/16 USS FLATWASHER
13	090-0644	2	10-24 X 5/8 HHCS
14	090-0460	4	5/16-18 NYLOCK NUT
15	090-0643	2	10-24 U NUT

**REAR TINE TILLER
ENGINE – RIGHT ANGLE DRIVE - PULLEY ASSEMBLY**

ITEM #	PART #	QTY	DESCRIPTION
1	090-0460	4	5/16-18 NYLOCK NUT
2	090-0233	15	5/16" USS FLATWASHER
3	030-0448	1	10 HP B&S IC INTEK ENGINE
3	030-0447	1	9 HP ROBIN ENGINE
3	030-0249	1	8 HP HONDA ENGINE
4	712-0144	1	ENGINE BELT RELEASE WELDMENT
5	100-0018	1	3/16" X 3/16" X 1" KEY
6	712-0160	1	RIGHT ANGLE DRIVE
7	703-0505	1	3/16" X 3/16" X 1-1/2" KEY
8	712-0007	1	REAR DIRVE MOUNT WELDMENT
9	090-0438	1	5/16-18 J-NUT
10	090-0088	7	5/16-18 X 1" HHCS
11	708-3293	1	6" PULLEY
12	030-0012	1	2/3V8.0 SHEAVE
13	030-0247	1	4H500 BELT
14	030-0089	1	4" PULLEY
15	080-0053	4	5/16-18 SETSCREW
16	030-0344	1	SDS-5/8 BUSHING
17	030-0285	1	3VX375/2 BELT
18	090-0408	2	5/16-24 X 3/4 HHCS
19	090-0394	9	5/16" MED. LOCKWASHER
20	030-0343	1	JA-1 BUSHING
21	030-0342	1	2/3V3.15 JA SHEAVE
22	712-0003	1	ENGINE MOUNT WELDMENT
23	090-0073	4	5/16-18 X 2- 1/4" HHCS
24	712-0095	1	ENGINE SPACER

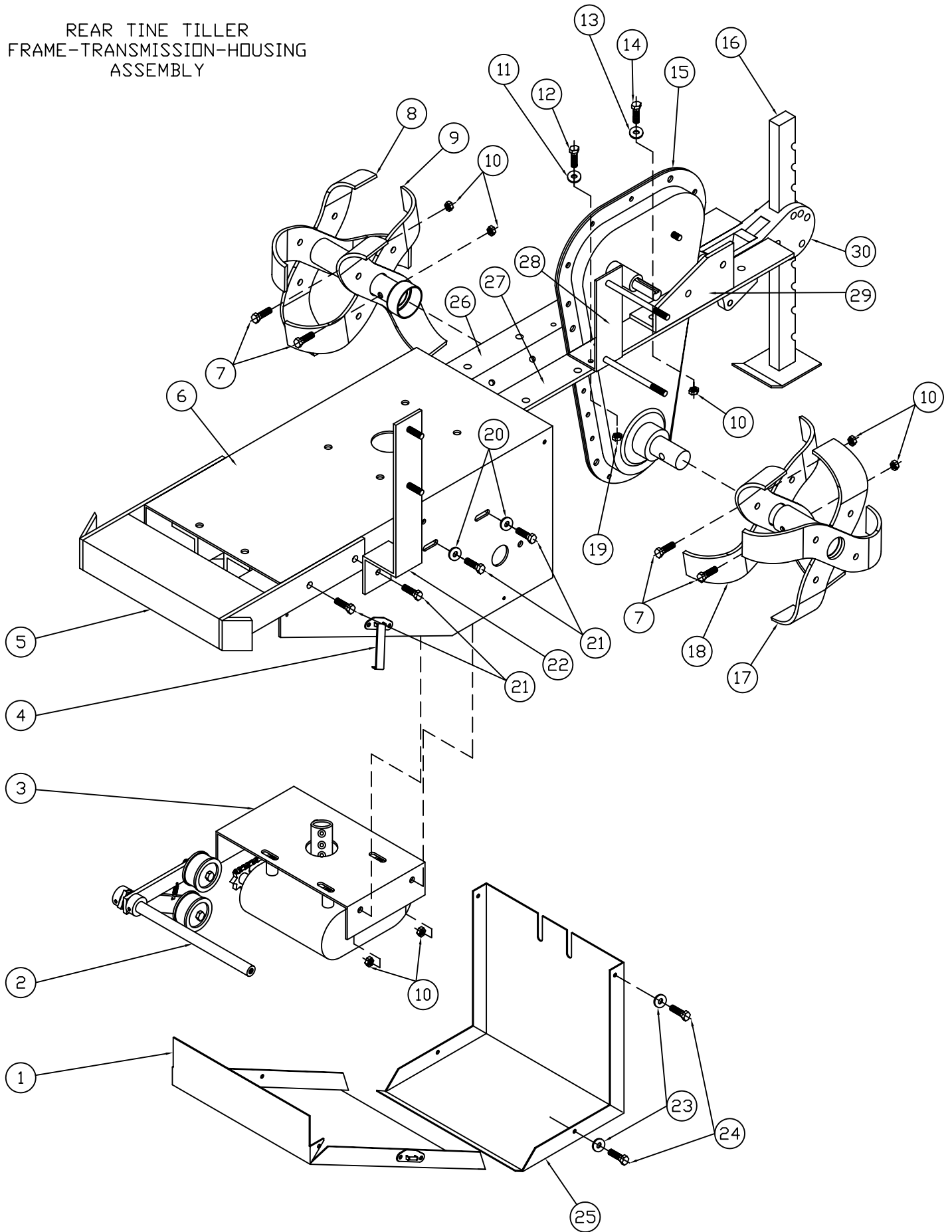
REAR TINE TILLER
ENGINE-RIGHT ANGLE DRIVE-PULLEY
ASSEMBLY



**REAR TINE TILLER
FRAME – TRANSMISSION – HOUSING ASSEMBLY**

ITEM #	PART #	QTY	DESCRIPTION
1	712-0118	1	FRONT BOTTOM HOUSING
2	SEE PG XX	1	CHAIN TENSIONER ASSY
3	SEE PG XX	1	TRANSMISSION MOUNT ASSY
4	030-0271	2	DRAW LATCH
5	712-0045	1	BUMPER WELDMENT
6	712-0096	1	TOP HOUSING WELDMENT
7	090-0604	4	3/8-16 X 2-1/4" HHCS GR8
8	712-0071	1	RH OUTSIDE TINE ASSY
9	712-0100	1	RH INSIDE TINE ASSY
10	090-0461	9	3/8-16 NYLOCK NUT
11	090-0232	2	1/4" USS FLATWASHER
12	090-0060	2	1/4-20 X 1" HHCS
13	090-0234	4	3/8 USS FLATWASHER
14	090-0112	4	3/8-16 X 1-1/2 HHCS
15	712-0185	1	TRANSMISSION ASSY – SEE PG XX
16	712-0140	1	DRAG BAR WELDMENT
17	712-0070	1	LH OUTSIDE TINE ASSY
18	712-0099	1	LH INSIDE TINE ASSY
19	090-0470	2	1/4-20 NYLOCK NUT
20	704-0106	4	WASHER
21	090-0110	8	3/8-16 X 1" HHCS
22	712-0120	1	BELT GUARD BRACKET
23	090-0537	4	WASHER
24	090-0504	8	10-24 X 1/2 SELF TAPPING SCREWS
25	712-0178	1	REAR BOTTOM HOUSING
26	712-0163	1	RH FRAME RAIL
27	712-0162	1	LH FRAME RAIL
28	712-0034	1	TRANSMISSION BELT RELEASE WELDMENT
29	712-0048	1	LH HANDLE MOUNT BRACKET
NOT SHOWN	712-0049	1	RH HANDLE MOUNT BRACKETS (NOT SHOWN)
30	710-2503	1	HITCH

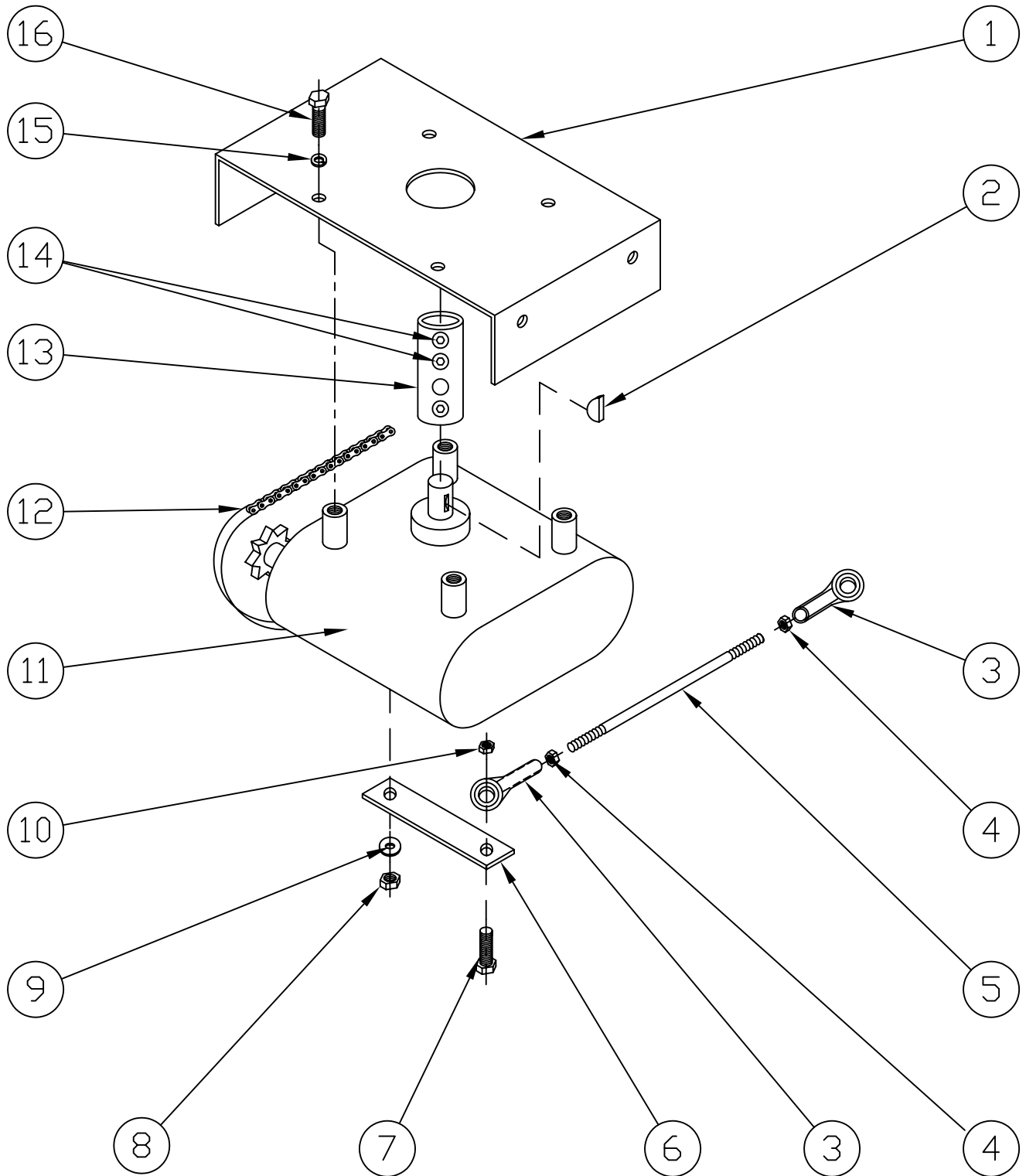
REAR TINE TILLER
FRAME-TRANSMISSION-HOUSING
ASSEMBLY



**REAR TINE TILLER
TRANSMISSION MOUNT ASSEMBLY**

ITEM #	PART #	QTY	DESCRIPTION
1	712-0014	1	TRNSMISSION MOUNT PLATE
2	090-0493	1	3/16 X 3/4 WOODRUF KEY
3	090-0269	2	1/4-28 FEMALE ROD END
4	090-0265	2	1/4-28 HEX NUT
5	712-0166	1	TRANSMISSION SHIFT ROD
6	712-0164	1	TRANSMISSION SHIFT ARM
7	090-0060	1	1/4-20 X 1 HHCS
8	090-0630	1	3/8-24 NYLOCK NUT
9	090-0233	1	5/16 USS FLATWASHER
10	090-0470	1	1/4-20 NYLOCK NUT
11	712-0161	1	TRANSMISSION
12	712-0067	1	DRIVE CHAIN
13	712-0015	1	DRIVE COUPLER
14	080-0053	3	5/16-18 X 5/16 SET SCREW W/ NYLOCK PATCH
15	090-0394	4	5/16 LOCKWASHER
16	090-0066	4	5/16-18 X 3/4 HHCS

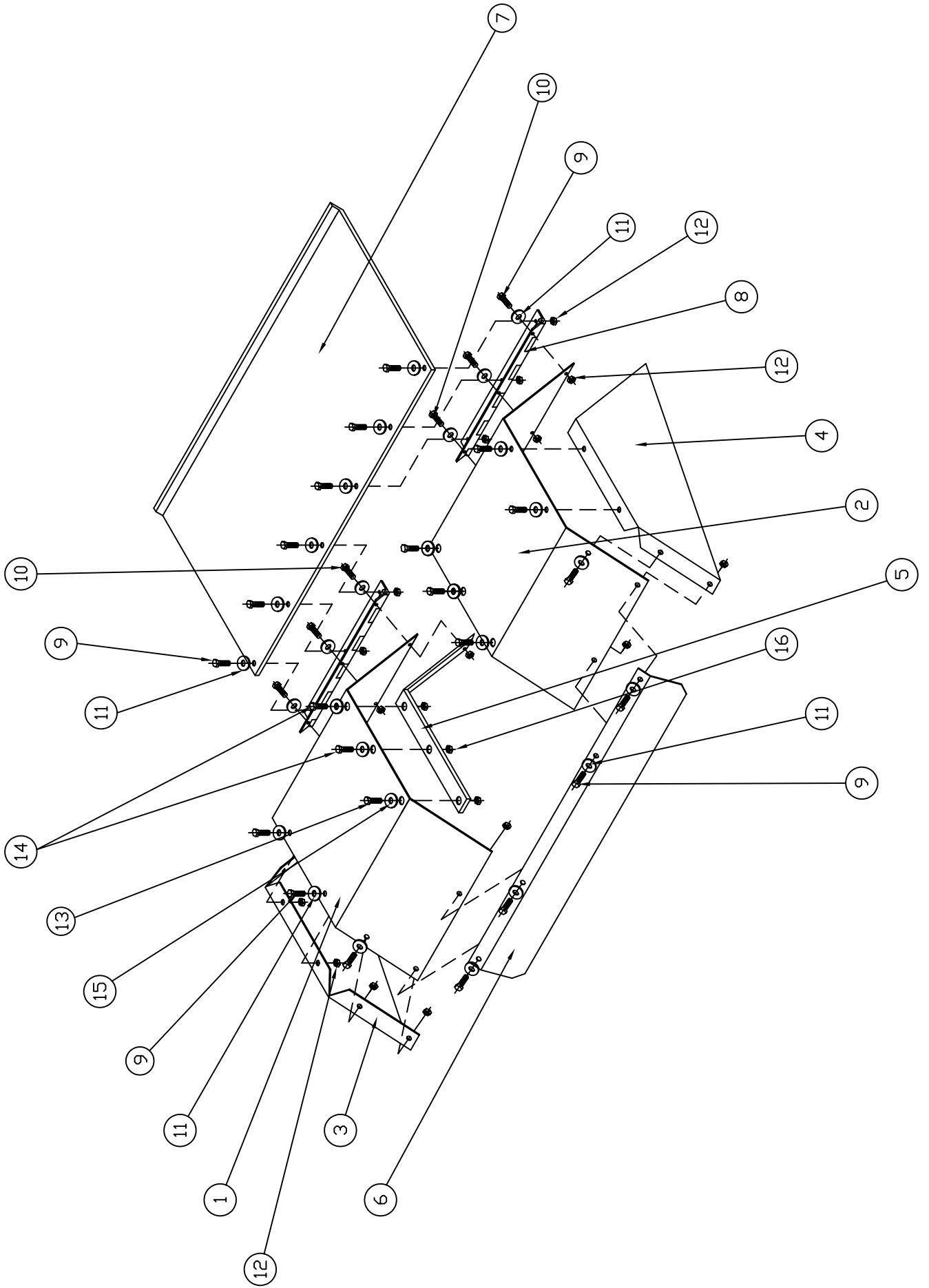
REAR TINE TILLER TRANSMISSION MOUNT ASSEMBLY



**REAR TINE TILLER
TINE SHIELD/COVER ASSEMBLY**

ITEM#	PART #	QTY	DESCRIPTION
1	712-0036	1	RH TINE SHIELD TOP
2	712-0035	1	LH TINE SHIELD TOP
3	712-0038	1	RH TINE SHIELD SKIRT
4	712-0037	1	LH TINE SHIELD SKIRT
5	712-0043	2	TINE SHIELD TOP BRACE
6	712-0039	1	TINE SHIELD DIRT DEFLECTOR
7	712-0040	1	TINE GUARD FLAP
8	712-0041-1	2	HINGE
9	090-0012	20	1/4-20 X 3/4" HHCS
10	090-0060	2	1/4-20 X 1" HHCS
11	090-0232	22	1/4" USS FLATWASHER
12	090-0470	22	1/4-20 NYLOCK NUT
13	090-0111	2	3/8-16 X 1-1/4" HHCS
14	090-0112	4	3/8-16 X 1-1/2" HHCS
15	090-0234	6	3/8 USS FLATWASHER
16	090-0461	6	3/8-16 NYLOCK NUT

REAR TINE TILLER
TINE SHIELD/COVER ASSEMBLY



REAR TINE TILLER

IDLER ARMS AND SHIFT LINKAGE

ITEM #	PART #	QTY	DESCRIPTION
1	090-0718	2	¼ X 1-1/4" COTTER PIN
2	090-0266	1	3/8-24 BALL JOINT
3	090-0267	2	3/8-24 HEX NUT
4	712-0175	1	OPERATOR SHIFT ROD
5	712-0170	1	UPPER SHIFT ARM WELDMENT
6	090-0626	1	3/16 X 1-1/4" ROLL PIN
7	090-0066	2	5/16-18 X 3/4" HHCS
8	090-0688	2	1/2" LOCKING COLLAR
9	090-0460	4	5/16-18 NYLOCK NUT
10	712-0167	1	BOTTOM HOUSING BRACKET
11	712-0172	1	LOWER SHIFT WELDMENT
12	090-0632	1	3/8 X 3/8 SOCKET HEAD SHOULDER BOLT
13	712-0135	1	IDLER ARM
14	090-0418	4	5/16-18 WHIZ NUT
15	090-0233	8	5/16 USS FLATWASHER
16	909-0012	2	IDLER PULLEY
17	090-0461	2	3/8-16 NYLOCK NUT
18	090-0117	2	3/8-16 X 2-1/4" HHCS
19	090-0411	1	1/4-20 X 2-1/4" EYEBOLT
20	712-0179	1	REVERSE LOCK OUT CHAIN
21	090-0381	1	5/16-18 X 5-1/2" HHCS
22	090-0653	1	½-13 NYLOCK JAM NUT
23	712-0183	1	LOCKOUT ARM
24	712-0182	1	SPACER
25	712-0173	1	IDLER ARM SPACER
26	712-0168	1	IDLER ARM
27	090-0144	1	½-13 X 5-1/2" HHCS

**REAR TINE TILLER
AXLE-TIRE ASSEMBLY**

ITEM #	PART #	QTY	DESCRIPTION
1	090-0093	6	5/16-18 x 3" HHCS
2	712-0102	4	WHEEL WEIGHT
3	090-0604	2	3/8-16 X 2-1/4" HHCS GR8
4	712-0103	1	RH WHEEL
5	712-0019	2	WHEEL SPACER
6	090-0460	6	5/16-18 NYLOCK NUT
7	030-0246	2	DRIVE SHAFT BEARING
8	712-0020	1	DRIVE AXLE WELDMENT
9	712-0104	1	LH WHEEL
10	090-0461	2	3/8-16 NYLOCK NUT

REAR TINE TILLER HANDLE ASSEMBLY

ITEM #	PART #	QTY	DESCRIPTION
1	706-0630	2	HANDLE GRIP
2	706-2791	2	¼ X 1-3/8 RIVET
3	712-0180	1	RH HANDLE ASSEMBLY
4	090-0091	4	5/16-18 x 1-3/4" HHCS
5	706-1826	1	CROSS BRACE
6	712-0181	1	LH HANDLE ASSEMBLY
7	090-0400	2	10-32 X 1-1/4 RHMS
8	712-0087	1	WHEEL ENGAGE CABLE
9	710-1848	2	CLUTCH SPRING
10	706-3254	2	CLUTCH CONTROL LEVER
11	712-0126	1	THROTTLE CONTROL
12	706-1539	2	10-32 KEP NUT
13	090-0460	5	5/16-18 NYLOCK NUT
14	712-0184	1	TINE ENGAGE CABLE
15	090-0268	1	5/16-18 X 5-1/2" EYEBOLT
16	090-0418	1	5/16-18 WHIZ NUT
Not Shown	708-3162	1	LH TIE BAR
Not Shown	708-3163	1	RH TIE BAR
Not Shown	712-0175	1	OPERATOR SHIFT ROD

712-0185 TRANSMISSION ASSEMBLY

ITEM #	PART #	QTY	DESCRIPTION
1	712-0176	1	LH CASE HALF WITH LOWER BEARING
1A	706-0343	1	TINE SHAFT BEARING
1B	706-0344	2	TINE SHAFT OIL SEAL
2	712-0177	1	RH CASE HALF WITH LOWER BEARING
2B	706-0343	1	TINE SHAFT BEARING
2C	706-0344	2	TINE SHAFT OIL SEAL
3	710-1754	1	GASKET
5	706-0347	1	CHAIN #50-40 PITCH
6	090-0092	1	5/16-18 X 2 1/2" HHCS
7	090-0460	1	5/16-18 NYLOCK NUT
8	706-3411	1	CAPLUG
9	712-0165	1	INNER RACE - IDLER SPROCKET
10	710-1760	1	TINE SHAFT WELDMENT
11	710-1762	1	CHAIN #35-44 PITCH
12	706-1763	1	CHAIN #40-40 PITCH
13	709-0651	1	TINE SHAFT SPACER - CUP SPACER
14	710-1903	1	UPPER IDLER SPROCKET ASSEMBLY
15	710-1905	1	LOWER IDLER SPROCKET ASSEMBLY
16	090-0619	1	3/8-16 X 3-1/4" HHCS
19	706-2500	1	DRIVE SHAFT ASSEMBLY
20	090-0548	16	1/4-20 X 5/8" HH WHIZLOCK SCREW
21	090-0453	16	1/4-20 WHIZLOCK NUT
22	710-1757	1	INNER RACE
NOT SHOWN			
---	712-0146	2	O-RING - USED BEHIND BEARING
---	030-0347	2	DRIVE SHAFT BEARING
---	090-0470	4	1/4-20 NYLOCK NUT - USED ON BEARINGS
---	712-0042	1	LOWER TRANSMISSION BRACKET
---	710-3404	1	TINE SHAFT SPACER - FLAT SPACER
---	030-0513	1	9/16" DRIVE SHAFT SPACER

