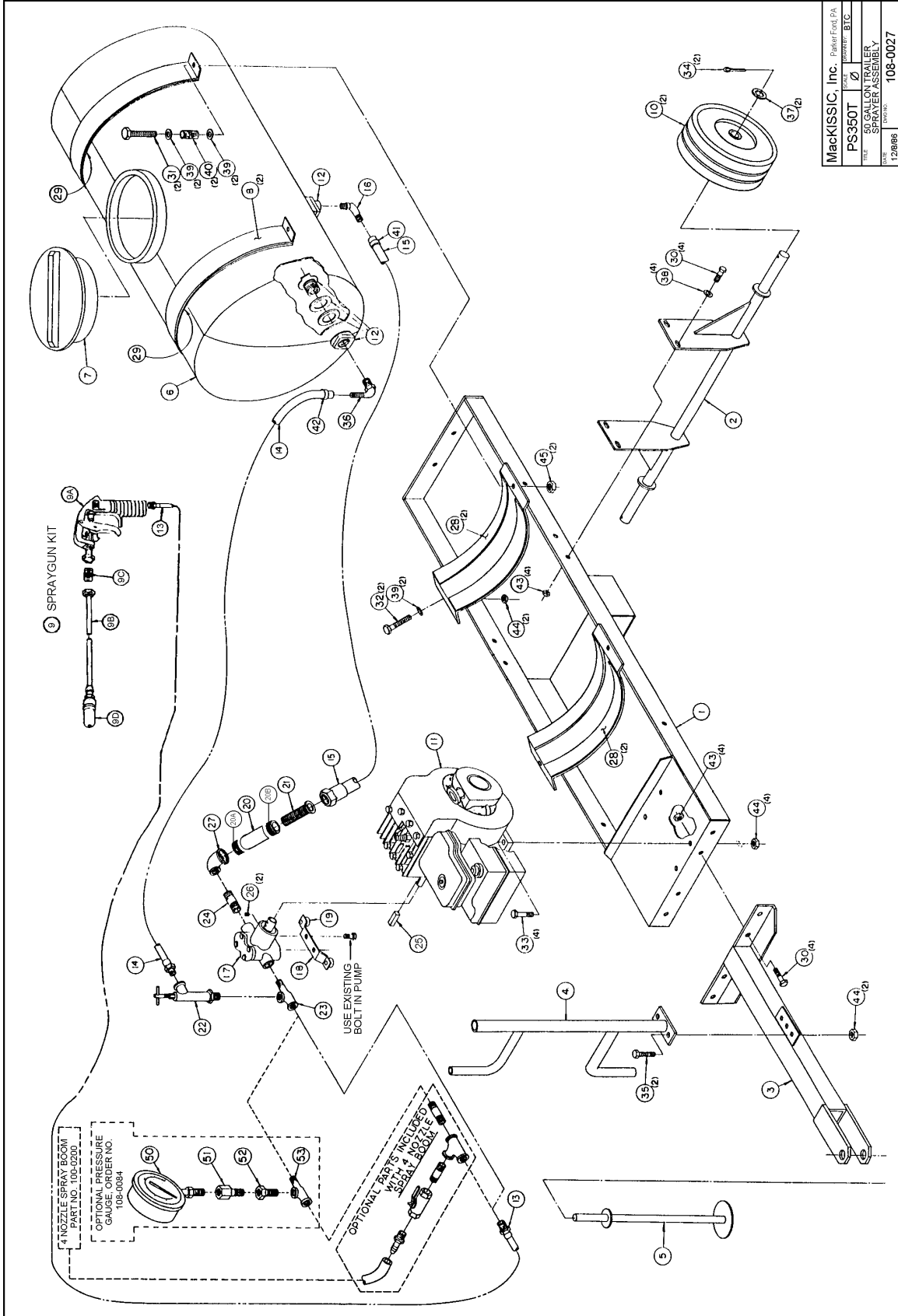


PS350T



MackKISSIC, Inc. - Parker Food, PA	
PS350T	REVISED BY: B.T.C.
PS350T	ISSUED BY: B.T.C.
PS350T	DATE: 12/28/88
PS350T	NO. OF PAGES: 108-0027

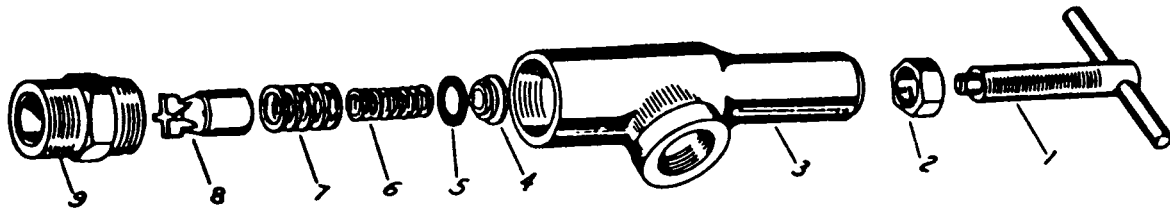
PS350T SPRAYER PARTS LIST

<u>ITEM NO.</u>	<u>PART NO.</u>	<u>QTY.</u>	<u>DESCRIPTION</u>
1	108-0028	1	Frame Weldment
2	108-0029	1	Axle Weldment
3	108-0015	1	Tow Hitch Weldment
4	108-0025	1	Hose Rack Weldment
5	108-0076	1	Stand Weldment
6	100-0066	1	50 Gallon Tank Assy.
7	100-0079	1	10" Lid
8	108-0054	2	Tank Band
9	100-0159	1	Spray Gun Kit Complete
9A	100-0157	1	Hand Gun
9B	100-0102	1	Spray Gun Extension
9C	100-0158	1	Outlet Adapter
9D	100-0104	1	Adjustable Cone Jet
10	020-0002	2	16" Wheel
11	030-0512	1	B&S 475 Series Engine
12	100-0031	2	Bulk Head Fitting Assy.
13	100-0112	1	25' Spray Hose
14	108-0088	1	Return Hose 3/8"
15	108-0059	1	Suction Hose 3/4"
16	100-0109	1	Nylon Elbow
17	108-0020	1	Pump
18	108-0068	1	Torque Arm
19	080-0831	2	Rubber Bumper
20	080-1007	1	3/4" Full Coupling
20A	080-1008	1	3/4" x 3 1/2" Std Wt Galv Nipple
20B	080-1009	1	3/4" NPT x 3/4" Hose Nylon Nipple
21	100-0030	1	Strainer
22	100-0094	1	Pressure Relief Valve - 1/2"
23	100-0135	2	1/2" Service Tee
24	080-0365	3	1/2"x 2 Nipple
25	108-0023	1	1/8" x 3/16" x 1" Shaft Key
26	080-0050	2	1/4"-28 x 1/4" Set Screw
27	100-0011	1	3/4" x 1/2" Reducing Elbow
28	100-0114	4	Cradle Gasket
29	100-0085	2	Tank Band Gasket
30	090-0110	4	3/8"-16 x 1" HHCS
30A	090-0111	4	3/8" x 1-1/4" HHCS
31	090-0079	2	5/16"-18 x 2 1/2" HH Tap Bolt
32	090-0078	2	5/16"-18 x 2" HH Tap Bolt
33	090-0090	4	5/16"-18 x 1 1/2" HHCS
34	090-0253	2	3/16" x 1 1/2" Cotter Pin
35	090-0088	2	5/16"-18 x 1" HHCS
36	100-0088	1	Nylon Elbow - 1/2 x 3/8
37	090-0246	2	1" Flatwasher
38	090-0234	4	3/8" Flatwasher
39	090-0233	6	5/16" Flatwasher
40	509-0009	2	Spring
41	100-0124	2	3/4" Hose Clamp
42	100-0139	1	3/8" Hose Clamp
43	090-0461	8	3/8-16 Nylock Locknut
44	090-0460	8	5/16-18 Nylock Locknut
45	090-0460	2	5/16-18 Nylock Locknut
50*	100-0081	1	Pressure Gauge
51*	100-0136	1	Gauge Damper
52*	080-0021	1	1/2" x 3/8" Bushing
53*	100-0135	1	1/2" Service Tee

*Optional Items

PRESSURE RELIEF VALVE PART NO. 100-0094

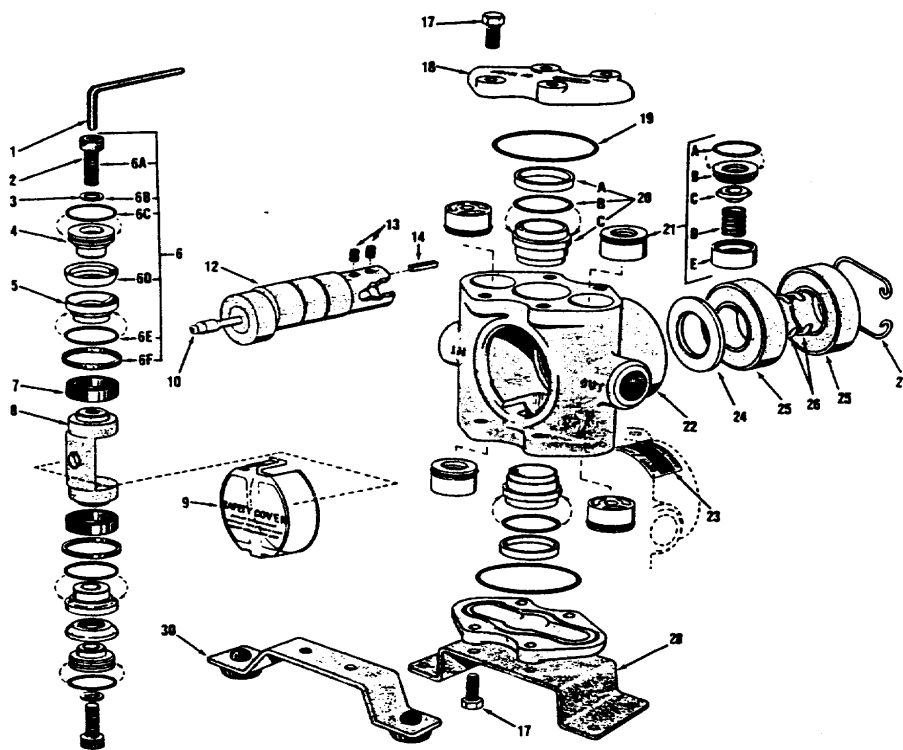
<u>Ref. No.</u>	<u>Part No.</u>	<u>Description</u>
1	080-0700	Adj. Screw Assy. 5896 Brass
2	080-0701	Locknut 5898 Brass
3	080-0702	Body 6818-1/2 Brass
4*	080-0703	Spring Retainer 6545 Brass
5*	080-0704	Gasket 5899-BU Buna N
6*	080-0705	Inside Spring 6547-SS
7*	080-0706	Outside Spring 6546-SS
8*	080-0707	Guide Seat 9897 Brass
9*	080-0708	Inlet Adapter 6789 Brass
*	080-0763	Relief Valve Repair Kit Includes These



AVAILABLE POWER SPRAYER KITS AND ACCESSORIES

For models PS322TE, PS322T, PS350T, AND PS350T-10:

4NB	Four Nozzle Boom Sprays 80"
4NBE	Four Nozzle Boom Sprays 80" (PS322TE only)
6NSB/8NSB	Six Nozzle Hinged Boom Sprays 120"
	Eight Nozzle Hinged Boom for Crop Sprays (10 GPM sprayers only)
100-0112	25' High Pressure Hose
100-0112A	50' High Pressure Hose
100-0112B	75' High Pressure Hose
100-0112C	100' High Pressure Hose
108-0092	Pressure Gauge Kit (PS350T-10 only)
108-0084	Pressure Gauge Kit (PS322T & PS350T)
100-0080	Surge Tank
100-0159	Pistol Grip Gun w/Extension
100-0102	Brass Spray Gun Extension only
108-0083	Jet Agitation Kit
108-0082	Handle Kit (PS322T only)



Hydro Pump Part List
For Units Equipped with
Hollow Shaft Pump
108-0020

Ref. No.	Part No.	Per Pump	Description
1	080-0800	1	Wrench 3020-0001
2	080-0801	2	Piston Cap Screw 2220-0012
3	080-0802	2	Washer 2270-0011
4	080-0804	2	Piston cap Spreader 1830-0017
5	080-0805	2	Cup Backing Plate 1410-0030
*6	080-0803	1	Piston Kit Leather Cups 3430-0007
7	080-0806	2	Piston Guide 1440-0004
8	080-0807	1	Connecting Rod 0502-5300
9	080-0808	1	Safety Cover 0608-5300
10	080-0813	1	Grease Fitting 2405-0006
11	080-0811	1	Crankpin Retainer 1600-0014
**12	---	1	Crankshaft Hollow Shaft Pump
13	080-0050	2	Set Screw 2230-0017 Hollow Shaft Pump
14	080-0815	1	Spline Key 1610-0011 Hollow Shaft Pump
17	080-0872	8	Cylinder Head Bolts 2210-0062
18	080-0871	2	Cylinder Head 0204-5300C
19	080-0818	2	O-Ring Cylinder head 1720-0038
20	080-0867	1	Cylinder Sleeve Assy 3430-0209
20AC	080-0820	2	Cylinder Sleeve Assy 3550-0019
20B	080-0819	2	Cylinder Sleeve Ring 1720-0079
21	080-0868	4	Unitized Valve Assy 3430-0197
22	080-0823	1	Body 0100-5300C
23	080-0830	1	Decal 6031-0009
24	080-0824	1	Bearing Shield 2130-0007
25	080-0826	2	Main Ball Bearing 2008-0001
26	080-0827	2	Bearing Ret. Ring (Shaft) 1810-0013
27	080-0869	1	Bearing Ret. Ring (Housing) 1820-0025
28	080-0829	1	Mounting Base 1510-0020
30	108-0068	1	Torque Arm 2820-0028

*NOTE: STANDARD PUMPS ARE SUPPLIED WITH LEATHER CUPS.

FOR LEATHER CUP & GUIDE KIT 3430-0008, which consists of Item #6 and 2 of Item #7
USE PART NO. 080-0832.

**FOR COMPLETE CRANKSHAFT ASSY 5500-5330, which consists of Items #10, 11, 12, 13, 14, 24, 25, 26
USE PART NO. 080-0810.

FOR CRANKSHAFT SUB-ASSEMBLY 5501-5330, which consists of Items #10, 11, 12, 13, 14
USE PART NO. 080-0866.