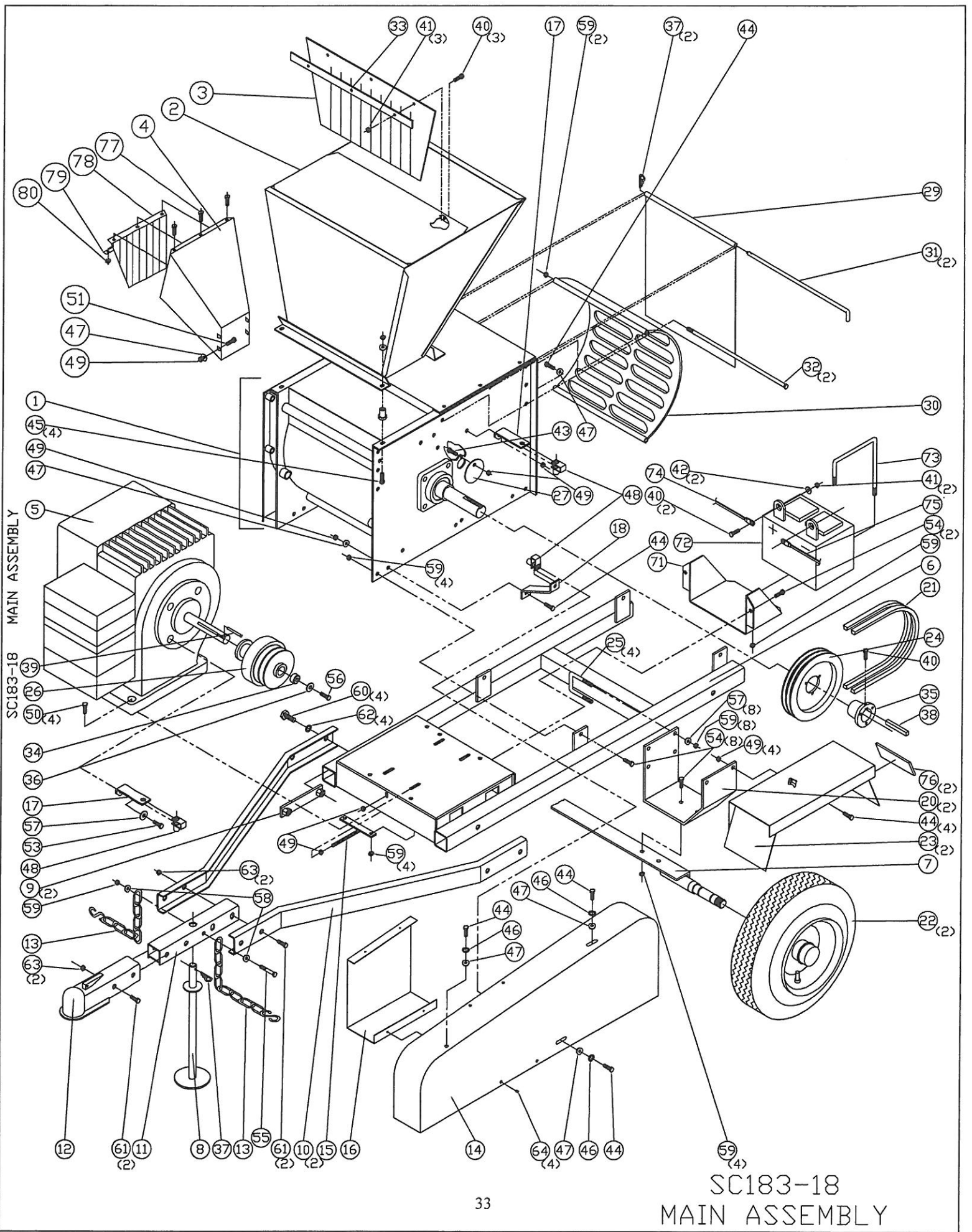


SECTION VI - PARTS

SC183 PARTS LIST

ITEM #	PART #	QTY.	DESCRIPTION
1	911-0150	1	SC183 BASIC UNIT
2	911-0028	1	SHREDDER HOPPER WELDMENT
3	911-0034	1	FLEX GUARD
4	911-0164	1	CHIPPER HOPPER WELDMENT
5	030-0325	1	18 HP B&S VANGUARD ENGINE
6	911-0239	1	FRAME WELDMENT
7	911-0070	1	AXLE WELDMENT
8	911-0035	1	STAND ASSY
9	911-0221	2	MOUNTING PLATE - HITCH ARM
10	911-0219	2	HITCH ARM
11	911-0220	1	HITCH TUBE WELMENT
12	913-0218	1	TRAILER HITCH
13	408-0078	2	3/16 CLASS 1 TRAILER SAFETY CHAIN
14	911-0248	1	BELT GUARD WELDMENT
15	913-0437	1	BELT TENSIONER
16	911-0240	1	INNER BELT GUARD
17	911-0214	2	L-BRACKET FROM ENGINE
18	911-0215	1	Z-BRACKET , BELT GUARD
20	911-0212	2	FORMED BRACKET
21	030-0600	1	3VX630/02 BANDED BELT
22	702-0040	2	WHEEL & TIRE ASSY W/ HUB
23	930-2122	2	FENDER WELDMENT
24	030-0531	1	2 GROOVE 3V6.0 SHEAVE
25	911-0229	5	U-BOLT, 3/8-16 X 3 DP X 2 BETWEEN
26	030-0538	1	CLUTCH 1" BORE 3V4.0
27	900-0040	1	COVER PLATE
28	500-0068	4	VIBRATION DAMPENERS
29	911-0033	1	BAFFLE WELDMENT
30	911-0054	1	BAR & SCREEN WELDMENT
31	911-0036	2	SCREEN & BAFFLE ROD
32	911-0050	2	TIE ROD (3/8-16 X 15" HHCS)
33	911-0049	1	RETAINING BAR – SHREADER HOPPER
34	911-0249	1	SPACER
35	030-0601	1	BUSHING SH 1 7/16" DIA BORE
36	704-0106	1	WASHER
37	500-0039	3	3/16" HAIR SPRING COTTER – PLT
38	080-0084	1	3/8 SQ X 1 ½ SHAFT KEY
39	703-0424	1	¼ SQ X 2" KEY
40	090-0012	6	¼-20 X ¾ HHCS GR5 PLTD
41	090-0470	5	¼-20 NYLOK LOCKNUT PLTD
42	090-0232	2	¼ USS FLATWASHER PLTD
43	090-0067	5	5-16-18 X 5/8 HHCS GR 5 PLTD
44	090-0088	9	5/16-18 X 1" HHCS GR 5 PLTD

45	090-0090	4	5/16-18 X 1 ½ HHCS GR5 PLTD
46	090-0394	3	5/16 MED SPLIT LOCKWASHER PLTD
47	090-0233	7	5/16" USS FLATWASHER PLTD
48	090-0438	3	5/16-18 J-NUT PLAIN
49	090-0460	12	5/16-18 NYLON INSERT LOCKNUT PLTD
50	090-0072	4	5/16-18 X 2 HHCS GR 5 PLTD
51	090-0462	4	5/16-18 X ¾" CARRIAGE BOLT PLTD
52	090-0418	4	5/16-18 WHIZ LOCK NUT
53	090-0098	1	3/8-16 X ¾ HHCS GR5 PLTD
54	090-0111	10	3/8-16 X 1 ¼ HHCS GR5 PLTD
55	090-0123	1	3/8-16 X 3 ½ HHCS-GR 5 PLTD
56	090-0633	1	3/8- 24 x 1 ½" HHCS
57	090-0228	8	3/8 MED SPLIT LOCKWASHER PLTD
58	090-0234	2	3/8 USS FLATWASHER PLTD
59	090-0461	24	3/8-16 NYLON INSERT LOCKNUT PLTD
60	090-0128	4	½-13 X 1 ¼ HHCS PLTD
61	090-0370	4	½-13 X 3 HHCS GR5 PLTD
62	090-0351	4	½ SPLIT LOCKWASHER PLTD
63	090-0050	4	½-13 GRIPCO LOCKNUT GR B PLTD
64	090-0162	4	#10-32 X 3/8 SELF TAPPING SCREW
71	911-0213	1	BATTERY BOX
72	911-0250	1	BATTERY-WET/SEALED
73	911-0232	1	BATTERY HOLD DOWN
74	913-0266	1	POSITIVE BATTERY CABLE
75	913-0223	1	NEGATIVE BATTERY CABLE
76	030-0375	2	REFLECTOR
77	090-0739	3	10-24 X ¾" HHMS
78	913-0376	1	BLOW BACK SHIELD
79	913-0378	1	BLOW BACK SHIELD MOUNT STRIP
80	090-0703	3	10-24 NYLOCK NUT



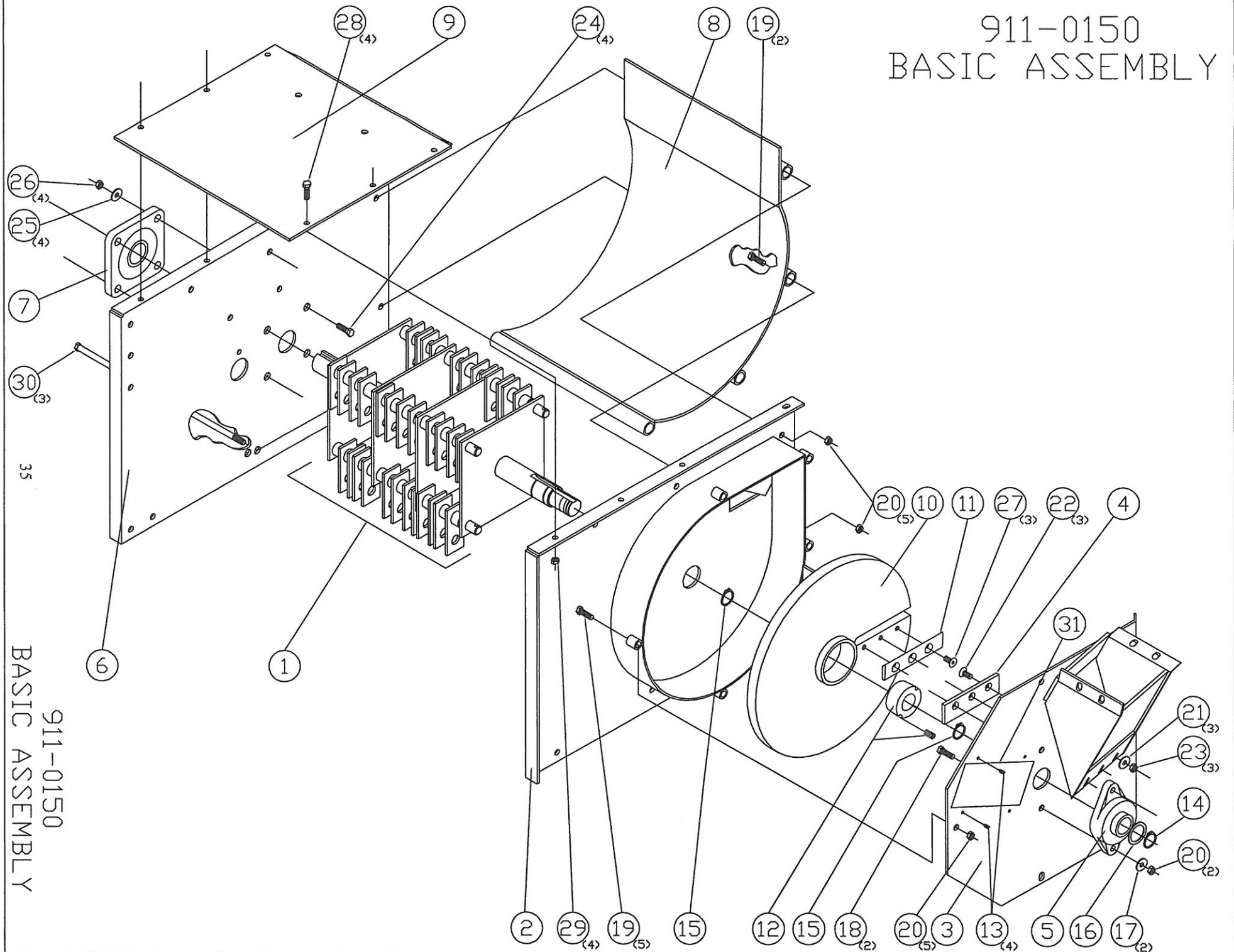
911-0150 BASIC MACHINE

ITEM #	PART #	QTY.	DESCRIPTION
1	911-0064	1	ROTOR ASSY W/HAMMERS
2	911-0152	1	CHIPPER SIDE PLATE WLDMNT
3	911-0268	1	CHIPPER CHUTE PLATE WELDMENT
4	913-0326	1	WEAR PLATE
5	030-0279	1	1 3/16" 2 BOLT BEARING
6	911-0151	1	DRIVE SIDE PLATE
7	030-0166	1	4 BOLT BEARING 1 7/16" BORE
8	911-0003	1	SCROLL WELDMENT
9	911-0026	1	TOP PLATE
10	911-0267	1	CHIPPER DISC - COMPLETE WITH KNIFE
11	913-0270	1	CHIPPER KNIFE
12	030-0167	1	1610 x 1 7/16" ID TAPER LOCK BUSHING
13	090-0162	4	#10-32 X 3/8 SELF TAPPING SCREW
14	030-0117	1	RETAINING RING - 1 3/16"
15	030-0171	2	1 7/16" RETAINING RING
16	090-0024	1	1.565 OD X 1.192 ID X .050 THK
17	090-0233	2	5/16"USS FLATWASHER PLTD
18	090-0111	2	3/8-16 X 1-1/4 HHCS
19	090-0016	7	3/8-16 X 1 1/2 HHCS GR5 - BLACK
20	090-0049	12	3/8-16 GRIPCO LOCKNUT GR B PLT
21	090-0245	3	1/4 SAE FLATWASHER - BLACK
22	090-0677	3	1/4-20 X 1" CARRIAGE BOLT
23	090-0470	3	1/4-20 NYLOK LOCKNUT PLTD
24	090-0463	4	1/2-13 X 1 1/2 HHCS GR5 - BLACK
25	090-0351	4	1/2 SPLIT LOCKWASHER PLTD
26	090-0050	4	1/2-13 GRIPCO LOCKNUT GR B PLT
27	090-0413	3	5/16-18 X 1" FLAT HD SOCKET CAP
28	090-0066	4	5/16-18 X 3/4 HHCS GR 5 PLTD
29	090-0048	4	5/16-18 GRIPCO NUT
30	911-0050	3	3/8-16 X 15"LG HHCS PLTD (TIE ROD)
31	913-0210	1	ACCESS COVER

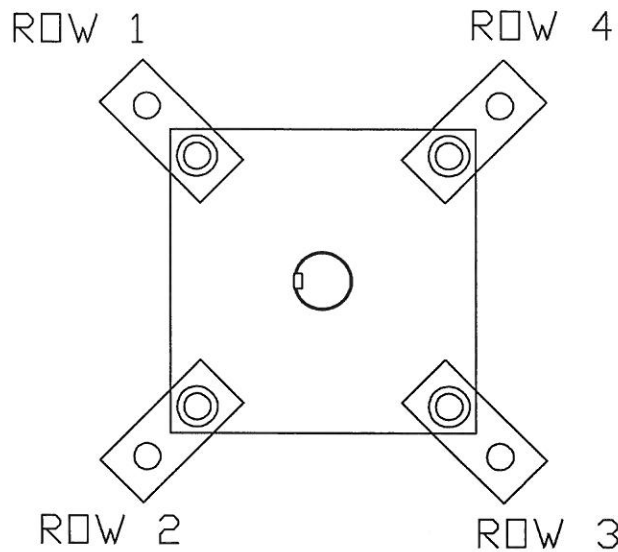
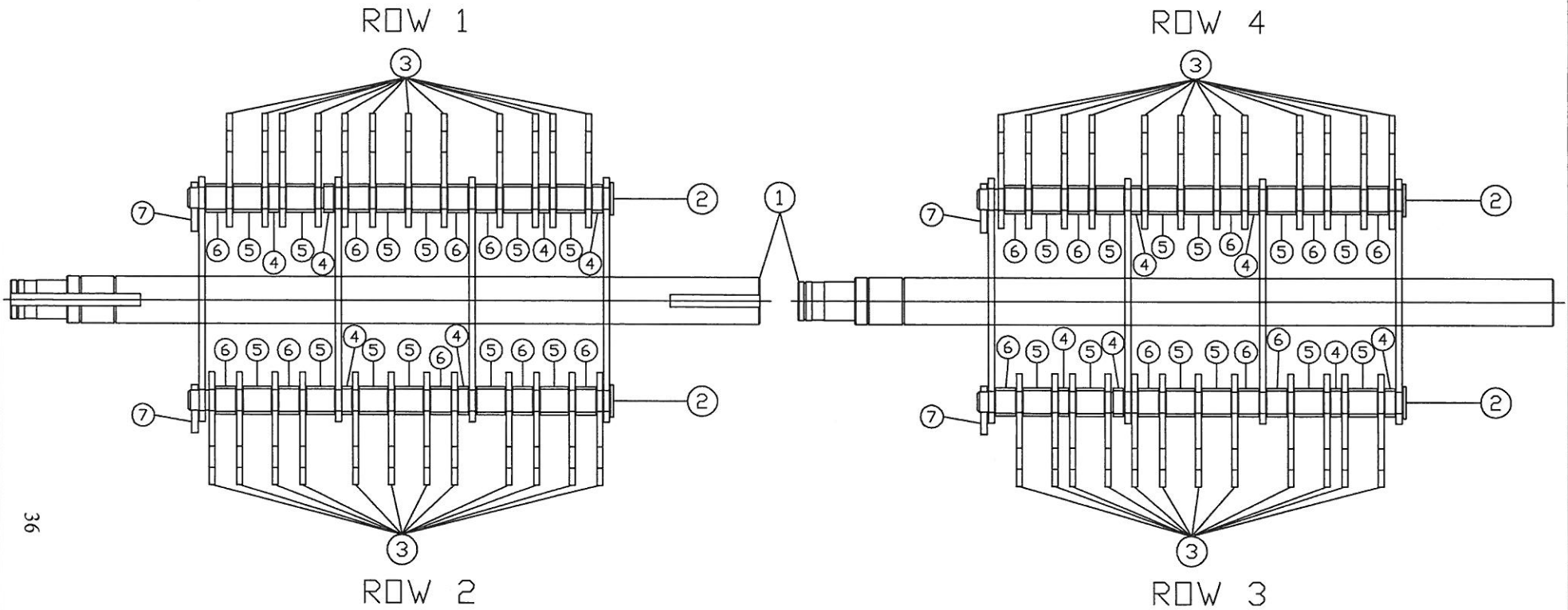
911-0064 ROTOR ASSEMBLY

ITEM #	PART #	QTY.	DESCRIPTION
1	911-0135	1	ROTOR WELDMENT
2	900-0100-4	4	HAMMER ROD
3	500-0008	48	HAMMER
4	500-0010	12	SPACER-5/16"
5	500-0011	24	SPACER-7/8"
6	500-0012	18	SPACER-5/8"
7	030-0153	4	13/64" DIA X 1 1/2" LG DRIVE PIN

911-0150 BASIC ASSEMBLY



911-0064 ROTOR ASSEMBLY



36

911-0064
ROTOR ASSEMBLY